

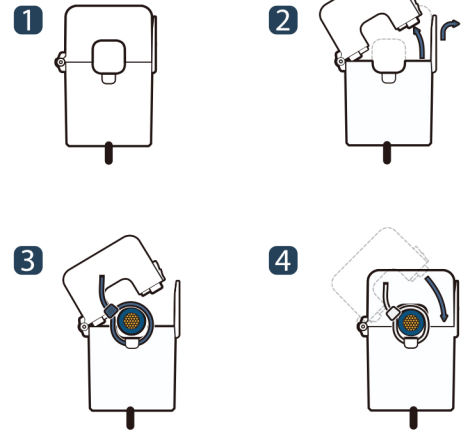


# SPLIT-CORE CURRENT TRANSFORMER

## JSXXFL-XXX-333mV series



### HOW TO USE



JS series of split-core current transformer offers 333mV at secondary from sensed primary current. Without using secondary CT inside of meter, users directly connect JS series to a meter for high accuracy metering application. It enables one meter to be adopted for various current rating by only changing primary CT so it makes compact design meter and reduces developing cost. Also, over-voltage protection circuit is included to offer safe, fast and cost effective installation.

### APPLICATIONS

- Power meter
- Switchgear
- Distributed measurement systems
- General Sets
- Control panels

### FEATURES

- PC spring, secure locking hinge, one-touch structure make easy to install to the existent equipments such as a power distribution boards.
- Isolated plastic case recognized according to UL94-V0
- UL / EN 61010 - 1 certified

### BENEFITS

- Small-size, light-weight
- Simple Installation
- Over-Voltage protection circuit is installed.

### NOTICE

- If you impact the core surface, internal core material could be damaged.
- Customizing output lead wire

### SPECIFICATION

Accuracy	Class 1.0
System Voltage	720V(0.72kV)
Overload withstand	1.2 times rated current continuously
Compliant with	IEC/EN61869-2 & IEC61010-1
Operating Temperature Range	-20°C to 55°C
Relative Humidity	0-85% non-condensing
Test Voltage	3kV for 1 minute
Frequency Range	50/60Hz
Protection Level	3.0V0-P
Insulation Category	CAT II or CATIII 600VAC



## CURRENT TRANSFORMER RATIOS

### How to Order / Model Reference

eg JS10FL 000 333mV

Model JS10FL

Primary Current

Select code from ratio table

Secondary Voltage

333mV

333mV

### Current Transformer Ratios

Primary Current (A)	Metering Burden(VA)			Code
	cl. 0.25	cl. 0.5S	cl. 1	
	cl. 0.3	cl. 0.6	cl. 1.2	
5			0.05	005
10			0.05	010
50			0.05	050
75			0.05	075

**333mV Secondary**

Accuracy conforms to IEC 61869-2 & IEEE/ANSI C57.13 meets the measuring range from 1 to 120 % of  $I_n$

### How to Order / Model Reference

eg JS16FL 000 333mV

Model JS16FL

Primary Current

Select code from ratio table

Secondary Voltage

333mV

333mV

### Current Transformer Ratios

Primary Current (A)	Metering Burden(VA)			Code
	cl. 0.25	cl. 0.5S	cl. 1	
	cl. 0.3	cl. 0.6	cl. 1.2	
100			0.05	100

**333mV Secondary**

Accuracy conforms to IEC 61869-2 & IEEE/ANSI C57.13 meets the measuring range from 1 to 120 % of  $I_n$

### How to Order / Model Reference

eg JS24FL 000 333mV

Model JS24FL

Primary Current

Select code from ratio table

Secondary Voltage

333mV

333mV

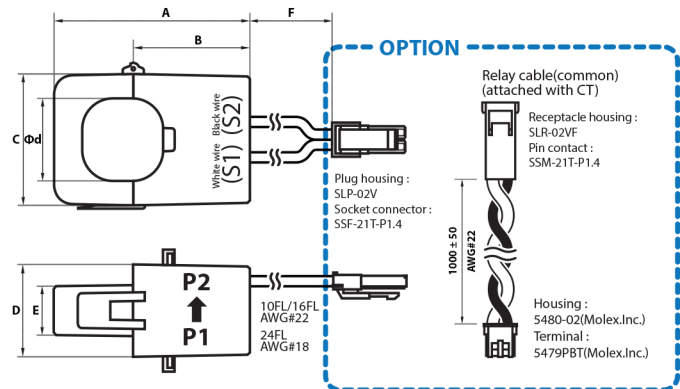
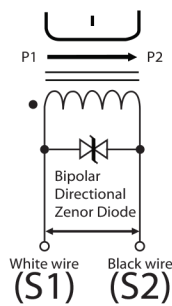
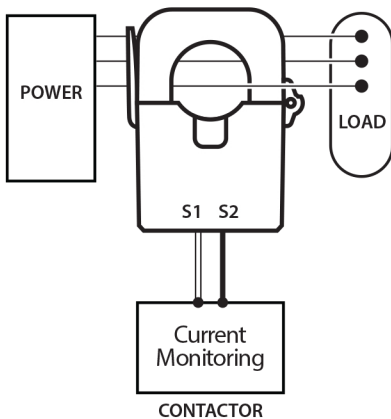
### Current Transformer Ratios

Primary Current (A)	Metering Burden(VA)			Code
	cl. 0.25	cl. 0.5S	cl. 1	
	cl. 0.3	cl. 0.6	cl. 1.2	
100			0.05	100
200			0.05	200

**333mV Secondary**

Accuracy conforms to IEC 61869-2 & IEEE/ANSI C57.13 meets the measuring range from 1 to 120 % of  $I_n$

## APPLICATIONS / DIMENSIONS



Unit : mm

Model	A	B	C	D	E	F	Ød
JS10FL	40.5	23	23.7	26.6	14.5	150±20	10
JS16FL	45	26	30	31.6	18.8	150±20	16
JS24FL	65	37.5	45	33.7	21.1	200±20	24



# Revenue-grade Split-core Current Transformer JSXXSL-XXX-333mV series

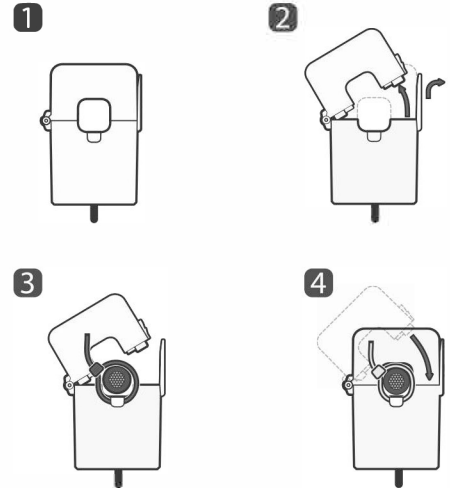
ISOST OPEN CT



UL US  
E344623 CE



## How to use >>>>



JS series of split-core current transformer offers 333mV at secondary from sensed primary current. Without using secondary CT inside of meter, users directly connect JS series to a meter for high accuracy metering application. It enables one meter to be adopted for various current rating by only changing primary CT so it makes compact design meter and reduces developing cost. Also, over-voltage protection circuit is included to offer safe, fast and cost effective installation.

### >>>> Applications

- Power meter
- Switchgear
- Distributed measurement systems
- General Sets
- Control panels

### >>>> Benefits

- Small-size, light-weight
- Simple Installation
- Over-Voltage protection circuit is installed.

### >>>> Specification

Accuracy	Class 1.0
Output Terminals	2 X M3-Screw, with Terminals cover
System Voltage	720V(0.72kV)
Overload withstand	1.2 times rated current continuously
Compliant with	IEC/EN60044-1 & IEC61010-1
Operating Temperature Range	-20°C to 55°C
Relative Humidity	0-85% non-condensing
Test Voltage	3kV for 1 minute
Frequency Range	50/60Hz
Protection Level	3.0V0-P
Insulation Category	CAT II or CAT III 600VAC

### >>>> Features

- PC spring, output-terminal, secure locking hinge, one-touch structure make easy to install to the existent equipments such as a power distribution boards.
- Isolated plastic case recognized according to UL94-V0
- UL / EN 61010 - 1 certified

### >>>> Notice

- Core contact surface is waterproofed, however if it gets rusty, you could reuse after removing rusts with spraying WD-40 or CRC5-56 on the rusted side
- Customizing output lead wire



**How to Order / Model Reference**

eg **J S 3 6 S L 0 0 0 3 3 3 mV**

Model **J S 3 6 S L**

Primary Current

Select code from ratio table

Secondary Voltage

333mV **3 3 3 mV**

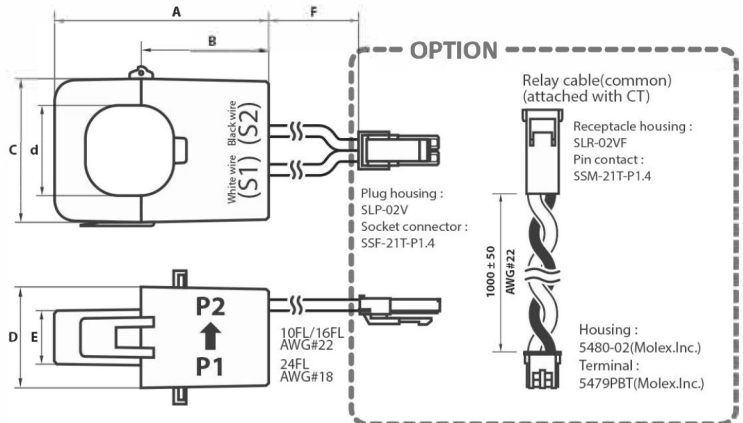
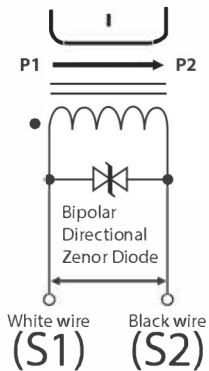
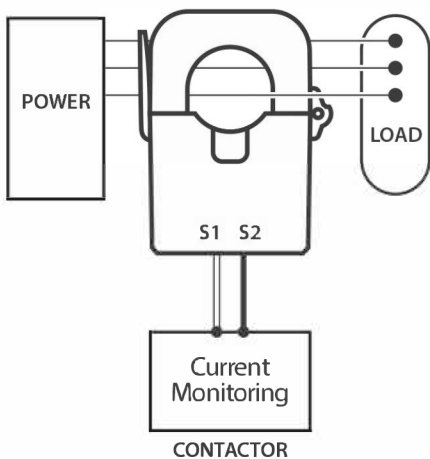
**Current Transformer Ratios**

Primary Current (A)	Metering Burden(VA)			Code
	cl. 0.25	cl. 0.5S	cl. 1	
400			0.05	400
600			0.05	600

**333mV Secondary**

Accuracy conforms to IEC61869-2 & IEEE/ANSI C57.13  
meets the measuring range from 1 to 120% of I<sub>n</sub>

>>>> Applications / Dimensions



Unit : mm

Model	A	B	C	D	E	F	Ød
JS36SL	82.4	48	57.1	40.2	21.1	200±20	36