



6x6x48"

4x4x48"



4x4x
Ang



Shown as
6x6x48"
Single Mount



Shown as
6x6x48"
Dual Mount



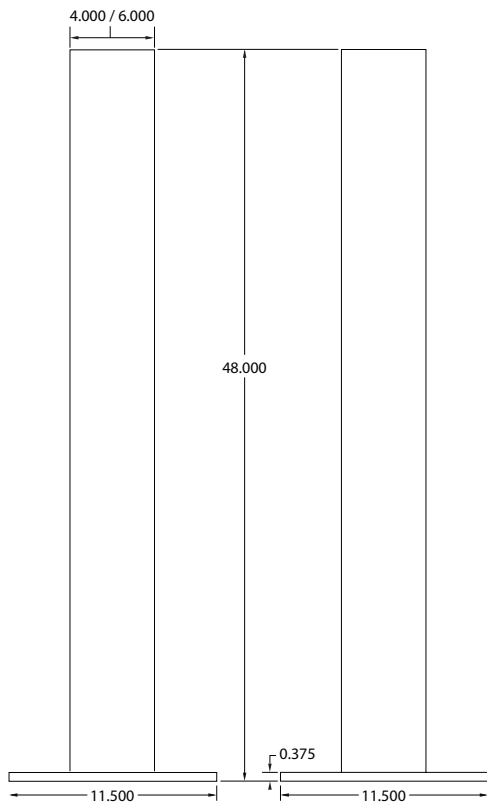
Shown as
6x6x48"
Quad Mount
(may not fit all
chargers)



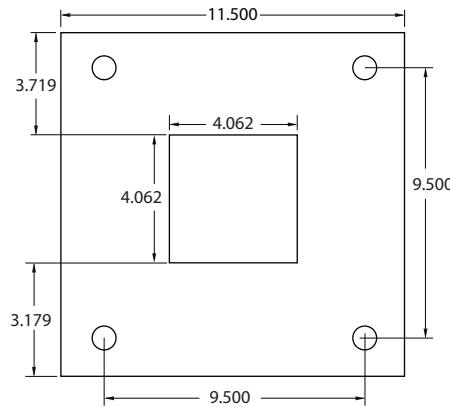
Shown
6x6x48"
with optional
bolt-on
72" EZ-Pull
Retractor

UNIVERSAL PEDESTAL

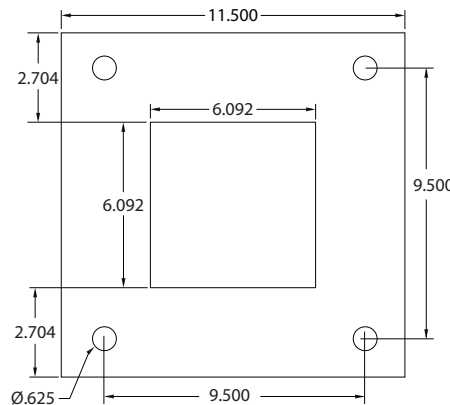
Part #: EVCS-4x4x48-P-01 • EVCS-6x6x48-P-01



FRONT / BACK



4x4x48"
BASE PLATE



6x6x48"
BASE PLATE

PRODUCT FEATURES

Part Number(s):

(4x4x48") - EVCS-4x4x48-P-01

(6x6x48") - EVCS-6x6x48-P-01

- Heavy-duty aluminum construction
- Attractive / durable powder coat finish
- Stainless steel hardware included
- Engineered for stability & durability
- Access panel for easy installation
- Available in two post sizes
(4x4x48" - 20 lbs. or 6x6x48" - 22 lbs.)
- Fits most wall mount charging stations
- Use with one or two chargers
(6" post holds up to 4 chargers with some models)
- Optional (bolt-on) cable retractor system available



EVCS200-PRD140-202301-REV-B