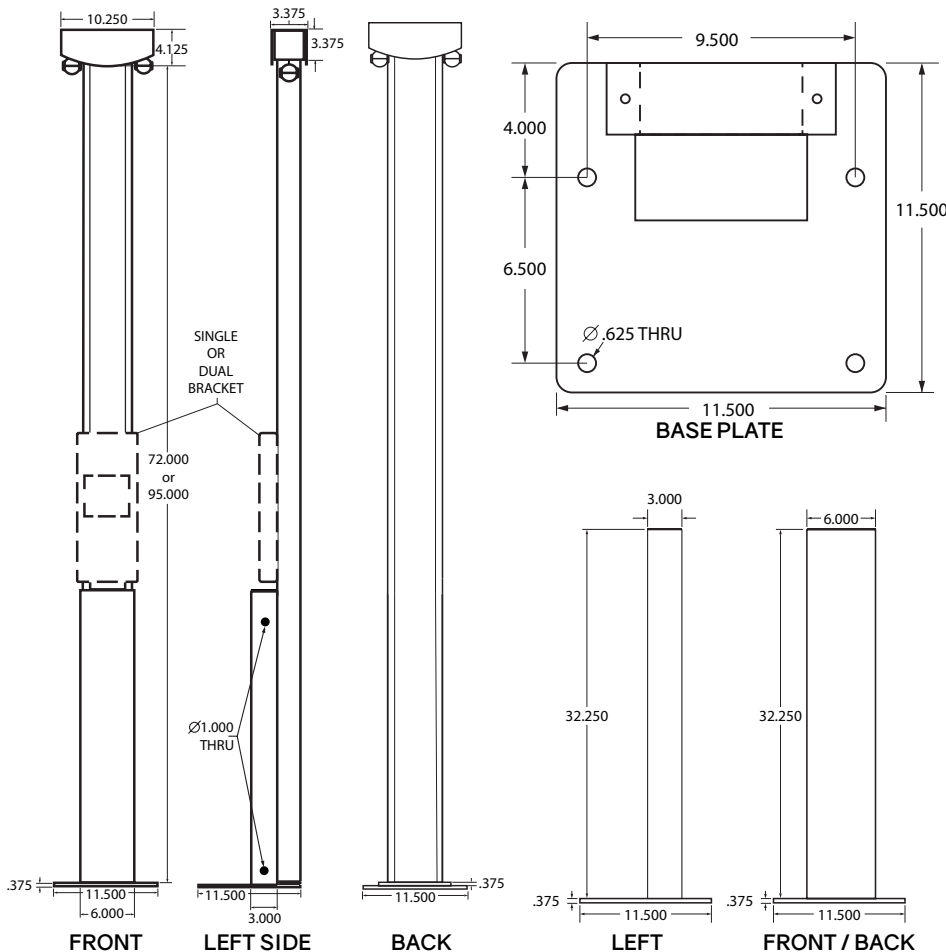




EZ-PULL PEDESTAL

Part #: EVCS-3x6x32S-P-01 • EVCS-3x6x32D-P-01



PRODUCT FEATURES

Part Number:
Single: EVCS-3x6x32S-P-01
Dual: EVCS-3x6x32D-P-01

- Aluminum construction with stainless steel hardware
- Durable powder-coat finish
- Simple weight & pulley retractor system provides minimal service requirements
- Optional slide-in graphics, and branding options
- Models available for most Level 2 chargers
- Available for single or dual units
- Available in 72" (for up to 20' cables) & 95" (for up to 25' cables)

