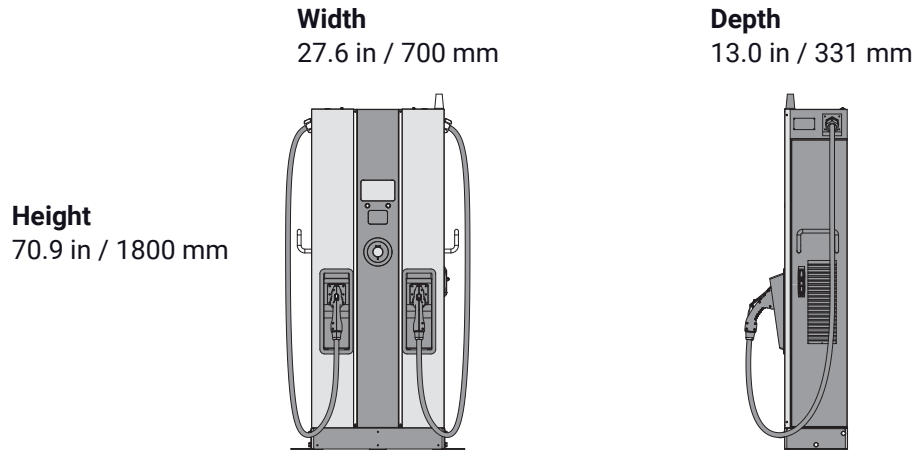




EV DC60P

Smart EV Charging

Version 2.03



SPECIFICATIONS

Cloud service	Noodoe EV OS
Maximum output power	60 kW
Output power	CCS1: 120 A @150~500 Vdc or 63 A @950 Vdc CHAdeMO: 120 A @150~500 Vdc
Vehicle connector	CCS1, CHAdeMO
Charging cable length	13 feet / 4 m
Input power	3-phase, 5-wire, 480 Vac, 100 A maximum
Grounding system	TN, TT
Efficiency	≥ 94%
Power factor	> 0.99
Display	7 inch LCD
Communication protocol	OCPP 1.6 JSON
Vehicle communication interface	ISO 15118
Network connectivity	Ethernet, Wi-Fi, 4G
RFID	RFID ISO/IEC 14443 A/B
NEMA enclosures(NEMA)	NEMA 3R
Impact protection	IK10
Electrical protection	Over voltage protection, over current protection, over power protection, over temperature protection, under voltage protection, residual current device, surge protection device, insulation monitoring device
Operating temperature	-22 °F to +122 °F / -30 °C to +50 °C
Dimensions	27.6 (W) x 70.9 (H) x 13.0 (D) in 700 (W) x 1800 (H) x 331 (D) mm
Weight	529 lbs / 240 kg
Certifications	ETL, FCC