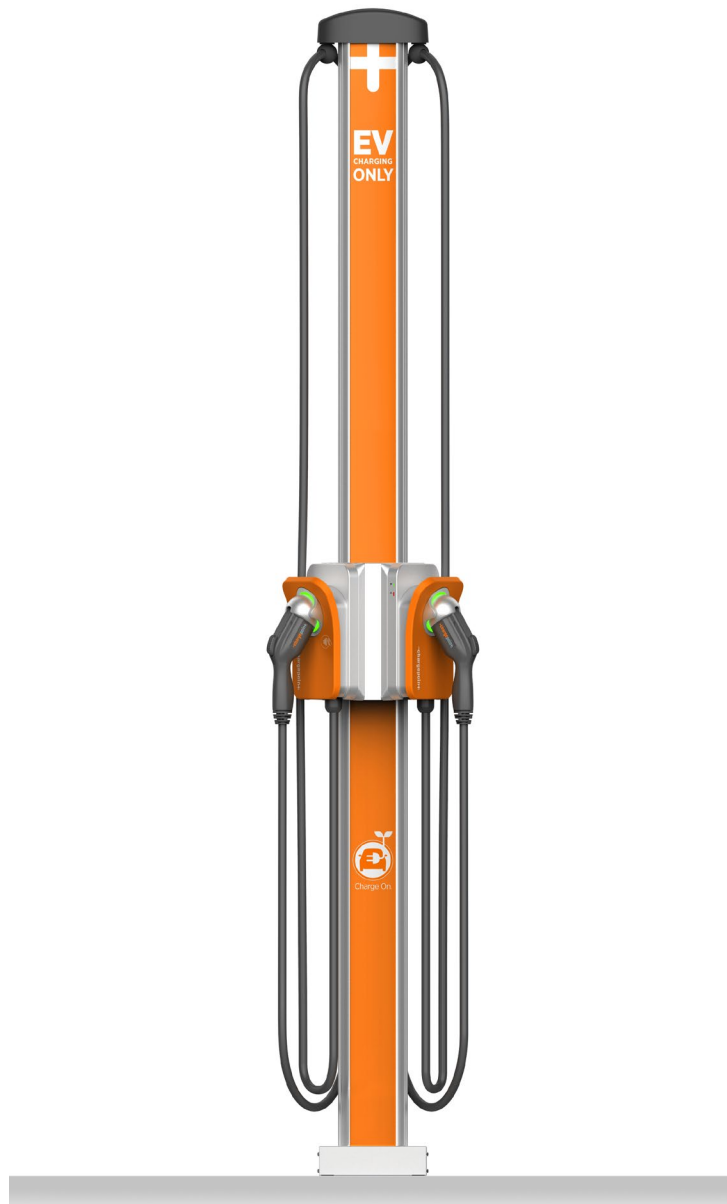


ChargePoint® CPF50 Level 2 Charging Stations for Fleet

Specifications and Ordering Information



Ordering Information

The order codes below represent specific product configurations. Other product options are available. Please contact ChargePoint Sales for information and order codes.

Hardware

| Description | | Order Code |
|-------------------|--|----------------------------|
| Model | Single Port, Pedestal 5.4m (18') Cable with 6' Cable Management Kit | CPF50-L18-PEDMNT-CMK6 |
| | Dual Port, Pedestal, 5.4m (18') Cable with 6' Cable Management Kit | CPF50-L18-PEDMNT-CMK-Dual |
| | Single Port, Wall, 5.4m (18') Cable with 6' Cable Management Kit | CPF50-L18-WALLMNT-CMK6 |
| | Single Port, Pedestal, 7.0m (23') Cable with 8' Cable Management Kit | CPF50-L23-PEDMNT-CMK8 |
| | Dual Port, Pedestal, 7.0m (23') Cable with 8' Cable Management Kit | CPF50-L23-PEDMNT-CMK8-Dual |
| | Single Port, Wall, 7.0m (23') Cable with 8' Cable Management Kit | CPF50-L23-WALLMNT-CMK8 |
| Replacement Cable | 5.4m (18'), 50A, Charging Cable, CMK version | CPFCABLE-T1-50A-L18-CMK-F |
| | 7.0m (23'), 50A, Charging Cable, CMK version | CPFCABLE-T1-50A-L23-CMK-F |

Required Companion Products

| Description | Order Code |
|---|----------------------------------|
| ChargePoint Cloud Plan | Please contact ChargePoint sales |
| ChargePoint Gateway* (1 required for every 9 stations) | CPGW1-LTE |

* The ChargePoint Gateway is required for all CPF50 installations. ChargePoint certified installers will do a site validation and order the ChargePoint Gateway as needed. In addition, the site host is responsible for providing power to the gateway. The ChargePoint Gateway is owned and maintained by ChargePoint.

ChargePoint CPF50 Datasheet

The Gateway should be located where cellular signal levels are optimal for LTE. Each Gateway must be located within 150 feet line-of-sight to as many as nine (9) CPF50 charging stations. Each CPF50 charging station has built-in WiFi capability to communicate via the Gateway for ChargePoint network services.

The Gateway is a UL Class 2 device and requires less than four watts power (33 mA@120 V or 19 mA@208 V). ChargePoint recommends hardwire electrical termination to the power source for the Gateway. The Gateway dimensions are 280 mm (11 in) wide by 340 mm (13 3/8 in) long by 137 mm (5 3/8 in) deep.

Recommended Companion Products for Fleet Applications

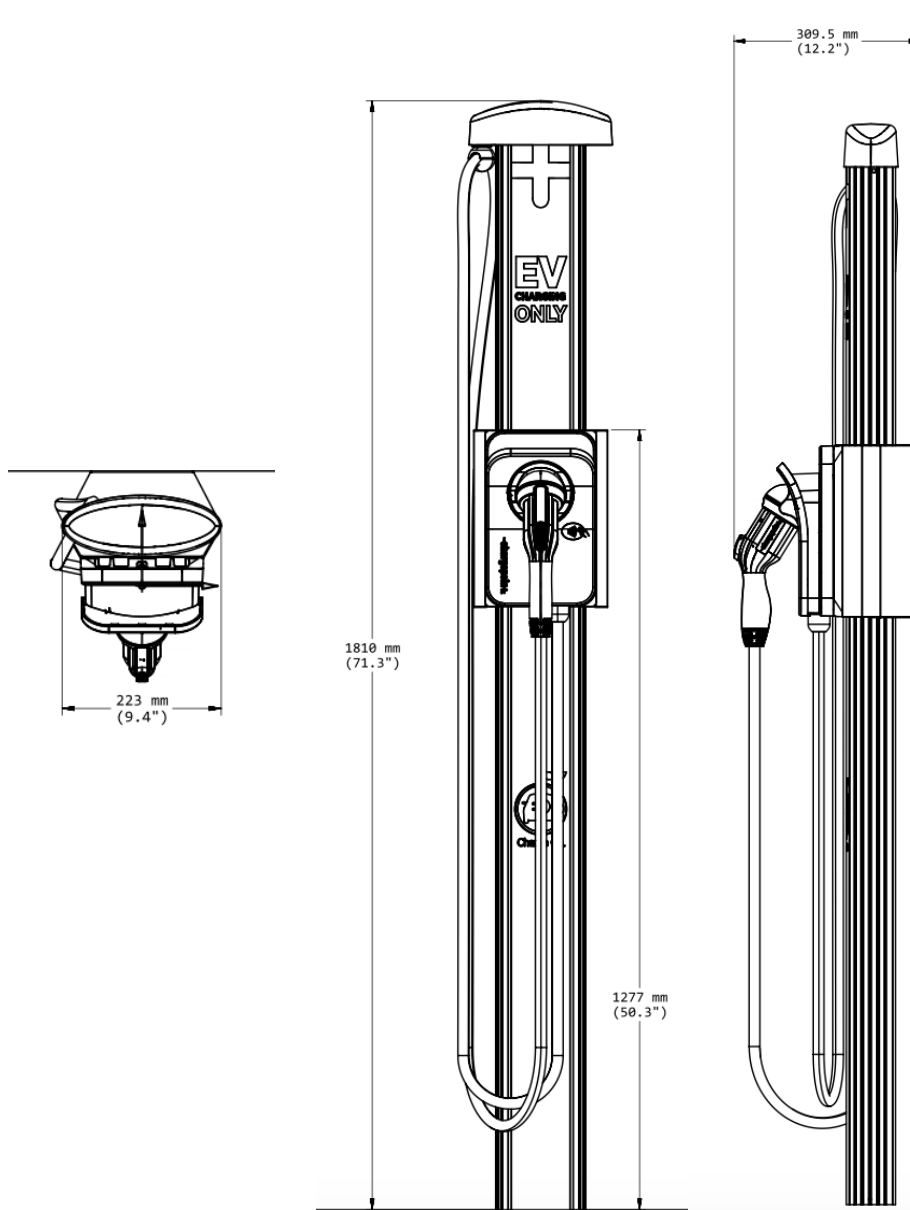
| Description | Order Code |
|----------------------------|------------------------|
| Station Initial Activation | CPSUPPORT-ACTIVE |
| ChargePoint Assure | CPF-ASSURE- <i>n</i> * |

*Substitute *n* for desired years of service (1, 2, 3, 4 or 5)

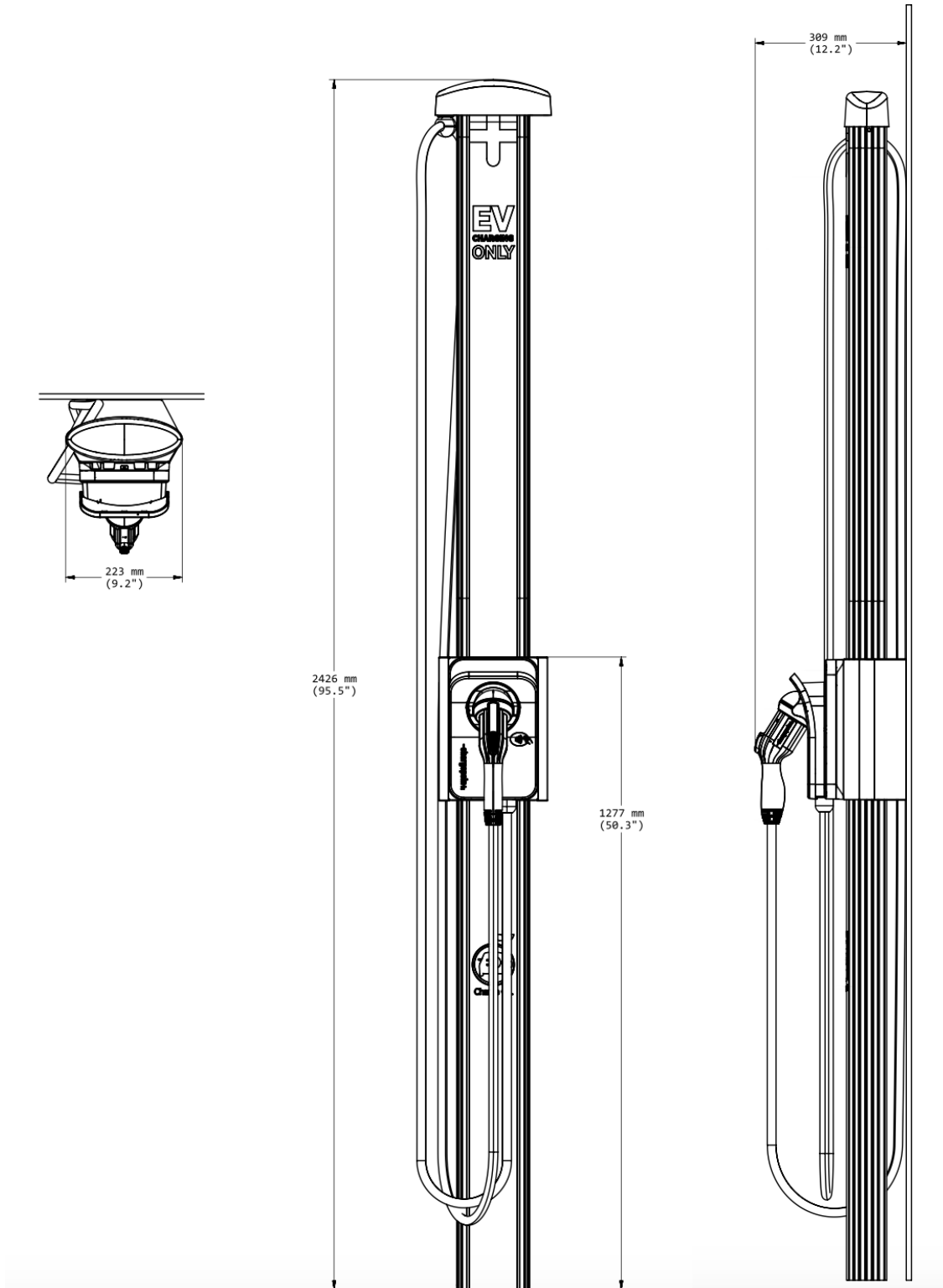
Architectural Drawings (Dimensions)

Single Wall Mount with Cable Management Kit

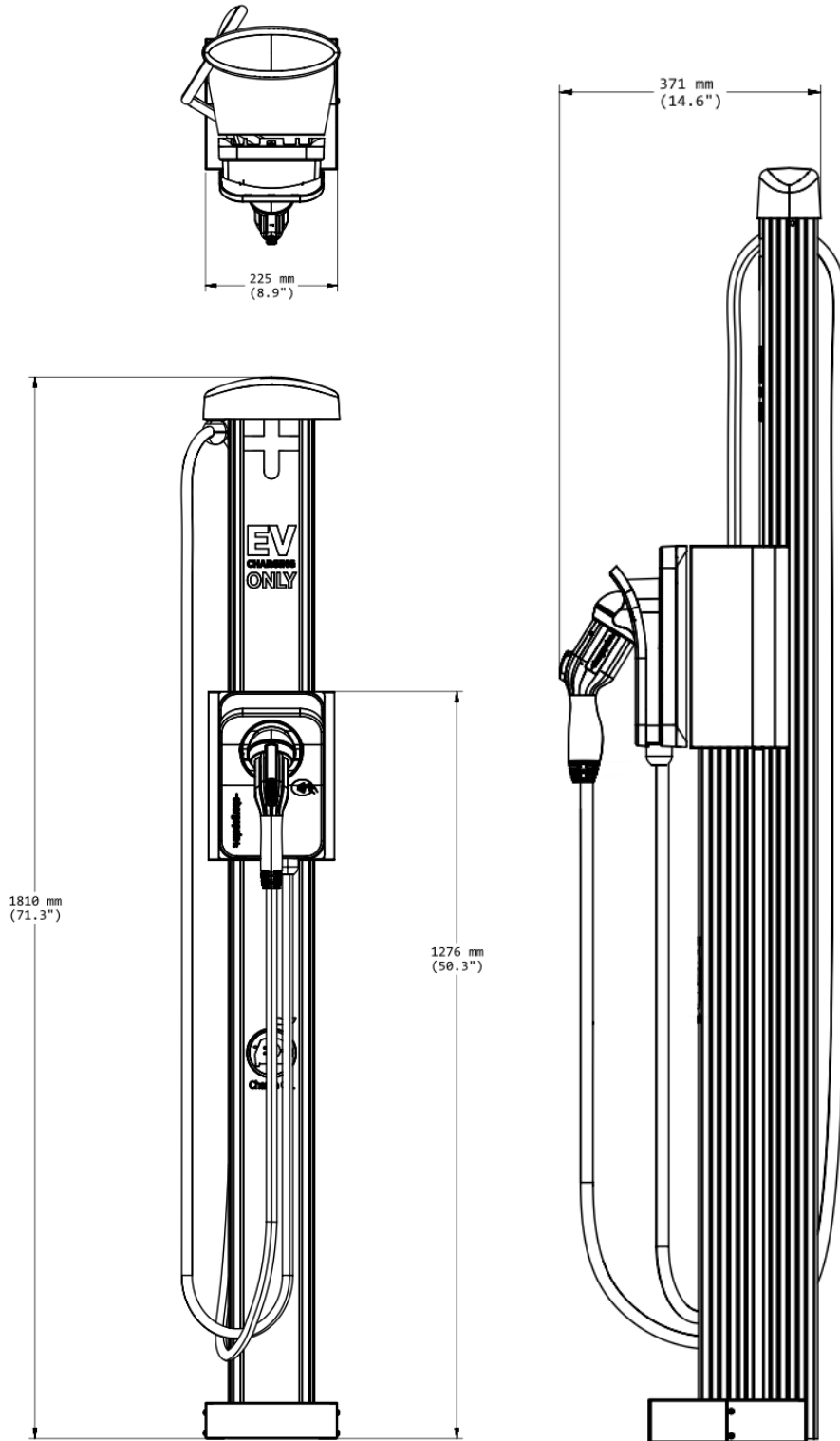
CPF50-L18-WALLMNT-CMK6ft (6 ft)



Single Wall Mount with Cable Management Kit
CPF50-L23-WALLMNT-CMK8ft (8 ft)

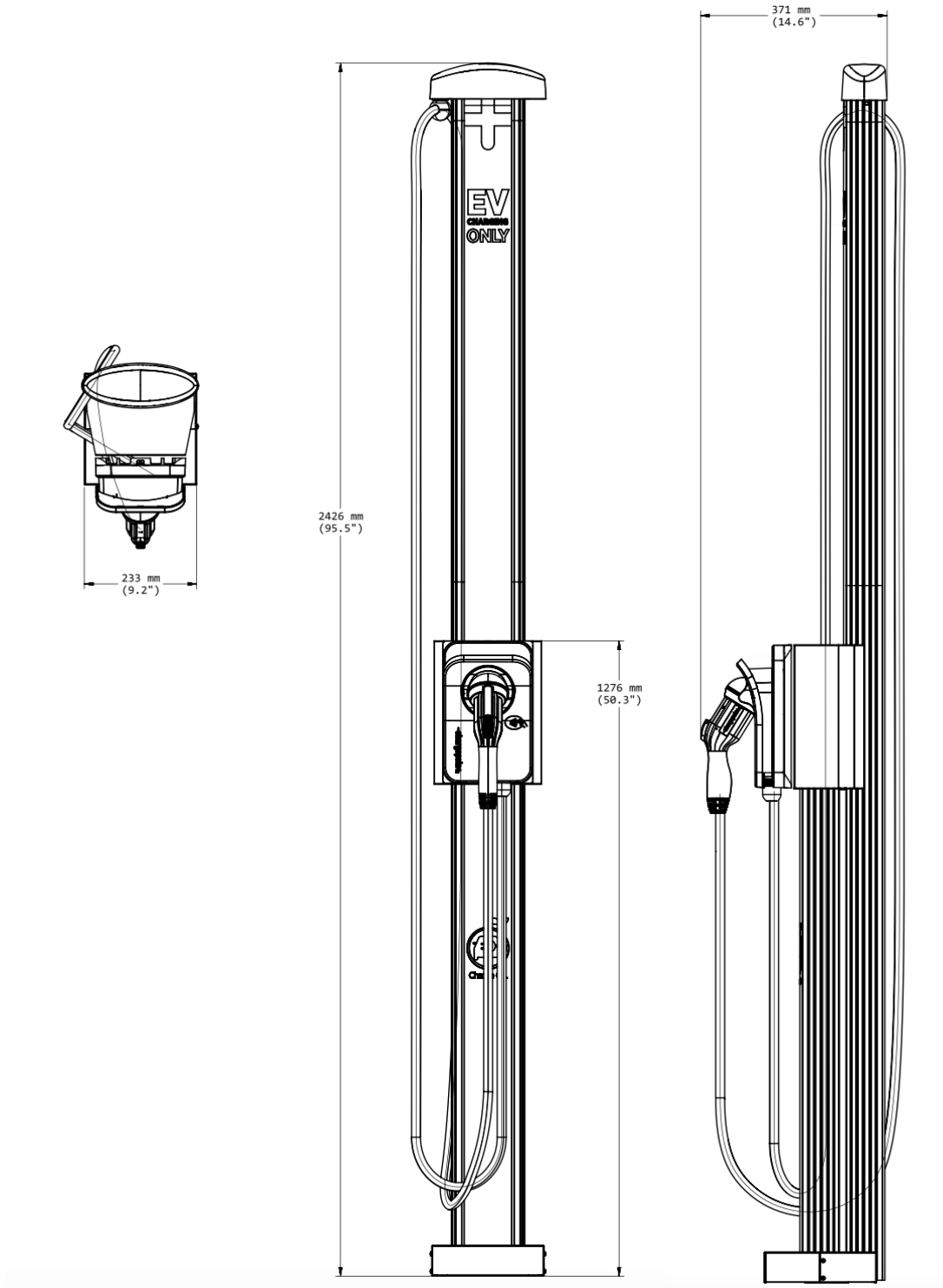


Single Pedestal Mount with Cable Management Kit
CPF50-L18-PEDMNT-CMK6 (6 ft)



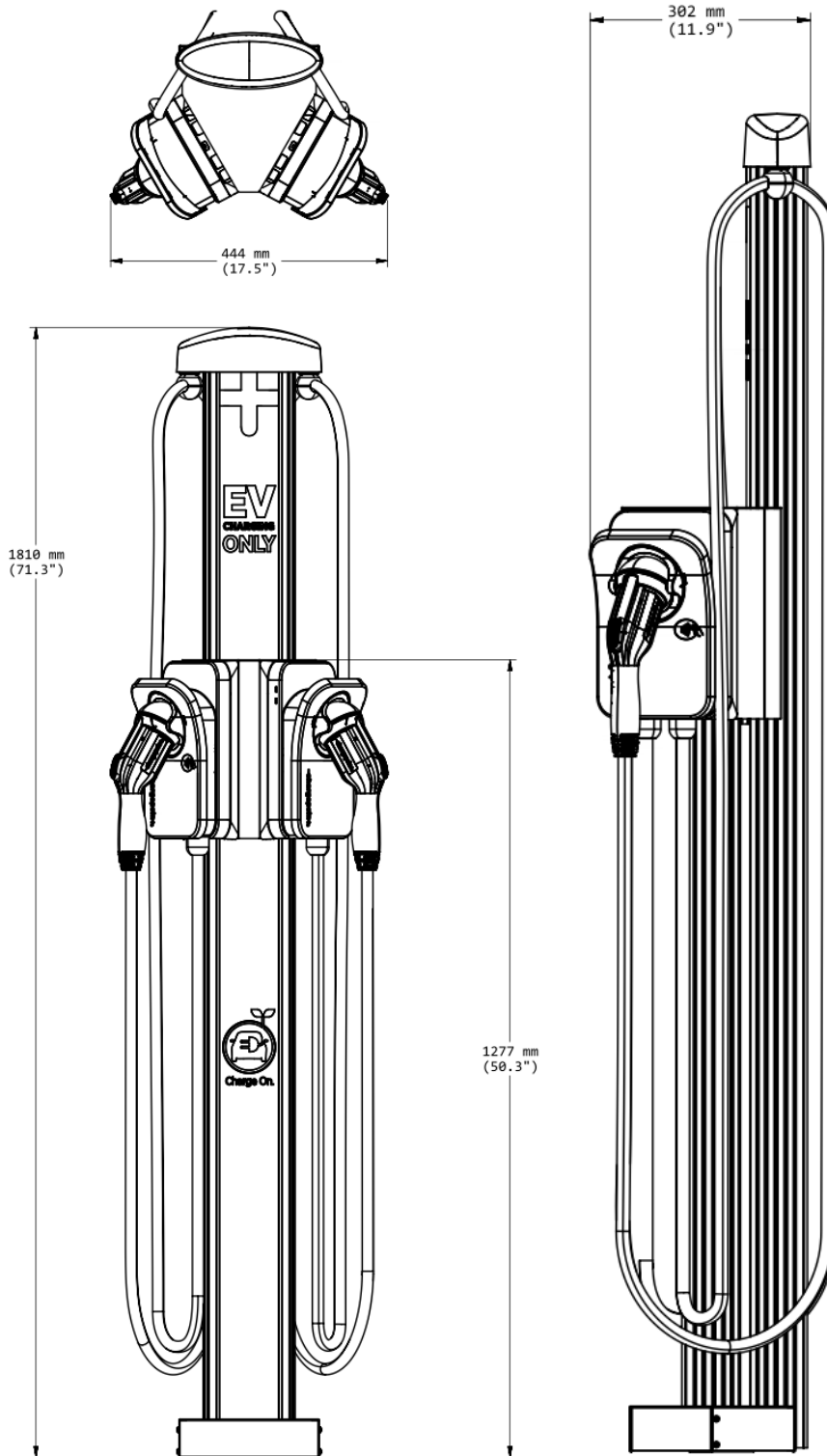
Single Pedestal Mount with Cable Management Kit

CPF50-L23-PEDMNT-CMK8 (8 ft)

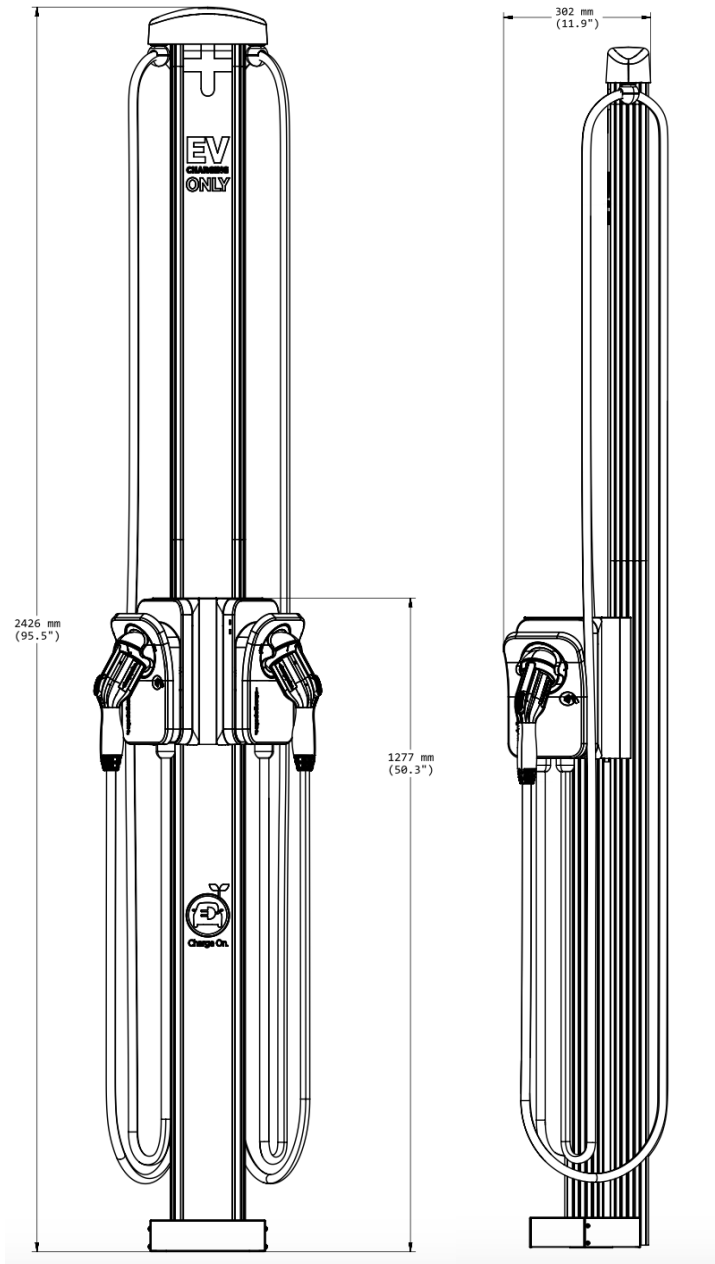
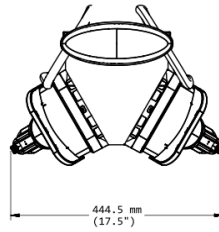


Dual Pedestal Mount with Cable Management Kit

CPF50-L18-PEDMNT-CMK6-Dual (6 ft)



Dual Pedestal Mount with Cable Management Kit
CPF50-L23-PEDMNT-CMK8-Dual (8 ft)



General Specifications

Electrical Input

CPF50 supports flexible current settings up to 50A to fit your needs.

Power Select allows CPF50 stations to be installed and software-configured for current input/output lower than the maximum 50A rating depending on your electrical and charging requirements. CPF50 Power Select current input/output options include 16A, 24A, 32A, 40A, and 48A.

Power Share allows two stations to share power from a single circuit dynamically across the stations, adjusting each station’s power output depending on whether one or both are actively charging. Standard wiring uses an independent circuit for each station. Power Share can be used in combination with Power Select.

| Electrical Input | One Station (AC Voltage 208 / 240V AC) | | | Two Stations (AC Voltage 208 / 240V AC) | | |
|--------------------------------------|---|--|--|--|--|---|
| | Input Current | Input Power Connection | Required Service Panel Breaker | Input Current | Input Power Connection | Required Service Panel Breaker |
| Maximum 50A (Standard) | 50A | One 70A/80A branch circuit | 70A/80A dual pole (non-GFCI) | 50A x 2 | Two independent 70A/80A branch circuits | 70A/80A dual pole (non GFCI) x 2 |
| Maximum 50A (Power Share) | N/A | N/A | N/A | 50A | One 70A/80A branch circuit split to two | 70A/80A dual pole (non GFCI) |
| Power Select 16A - 48A (Standard) | 16A - 48A | One branch circuit rated 125% of input current (20A - 60A) | Dual pole (non-GFCI) rated 125% of input current (20A-60A) | 16A - 48A x 2 | Two independent branch circuits rated 125% of input current (20A - 60A) | Dual pole (non-GFCI) rated 125% of input current x 2 |
| Power Select 16A - 48A (Power Share) | N/A | N/A | N/A | 16A - 48A | One branch circuit rated 125% of input current (20A to 60A) split to two | Dual pole (non-GFCI) rated 125% of input current (20A- 60A) |

ChargePoint CPF50 Datasheet

| | | |
|----------------------------|---|--|
| Service Panel/Breaker GFCI | Do not provide external GFCI as it may conflict with internal GFCI (CCID) | |
| Wiring – Standard | 3-wire (L1, L2, Earth) No neutral | 3-wire (L1, L2, Earth) x 2 No neutral |
| Wiring – Power Share | N/A | 3-wire (L1, L2, Earth) split to 3-wire (L1, L2, Earth) x 2 |
| Station Power | 2.5W typical (standby), 4W maximum (operation) | 5W typical (standby), 8W maximum (operation) |
| Line to Ground Voltage | 120V +/- 10% | |

Electrical Output

| Electrical Output | Single Port (AC Voltage 208 / 240V AC) | Dual Port (AC Voltage 208 / 240V AC) |
|--------------------------------------|---|--|
| Maximum 50A (Standard) | 12 kW (240V AC @ 50A) | 12 kW (240V AC @ 50A) |
| Maximum 50A (Power Share) | N/A | 12 kW (240V AC @ 50A) x 1 or 6 kW (240V AC @ 25A) x 2 |
| Power Select 16A - 48A (Standard) | 3.8 kW – 11.5 kW (240V AC @ 16A - 48A) | 3.8 kW – 11.5 kW (240V AC @ 16A - 48A) x 2 |
| Power Select 16A - 48A (Power Share) | N/A | 3.8 kW – 11.5 kW (240V AC @ 16A - 48A) x 1 or 1.9 kW – 5.8 kW (240V AC @ 8A - 24A) x 2 |

Functional Interfaces

| | |
|---|-------------|
| Connector Types | SAE J1772™ |
| Cable Length – 1.8 m (6') Cable Management | 5.4 m (18') |

ChargePoint CPF50 Datasheet

| | |
|---|-------------------------|
| Cable Length – 2.4 m (8') Cable Management | 7.0 m (23') |
| Overhead Cable Management System | Yes |
| Card Reader | ISO 15693 and ISO 14443 |

Indicators

| | |
|------------------------|-----|
| WiFi LED | Yes |
| Fault Indicator per UL | Yes |
| Status LED | Yes |

Safety and Connectivity Features

| | |
|------------------------------|---|
| Ground Fault Detection | 20mA CCID with auto retry |
| Open Safety Ground Detection | Continuously monitors presence of safety (green wire) ground connection |
| Plug-Out Detection | Power terminated per SAE J1772™ specifications |
| Power Measurement Accuracy | +/- 2% from 2% to full scale (50A) |
| Power Report/Store Interval | 15 minute, aligned to hour |
| Local Area Network | 2.4/5 GHz Wi-Fi (802.11 a/b/g/n) |
| Wide Area Network | 4G LTE provided by the ChargePoint Gateway CPGWx |

Safety and Operational Ratings

| | |
|--------------------------|---|
| Station Enclosure Rating | Type 3R per UL 50E |
| Safety and Compliance | UL and C-UL listed; complies with UL2594, UL2231-1, UL 2231-2. NEC Article 625 compliant. For Canada CSA C22.2, No. 280, 281.1, 281.2, CED UL and C-UL listed per UL916 Energy Management Equipment |

ChargePoint CPF50 Datasheet

| | |
|--|---|
| Station Surge Protection | 6 kV @ 3000A. In geographic areas subject to frequent thunder storms, supplemental surge protection at the service panel is recommended |
| EMC Compliance | FCC Part 15 Class B |
| Storage Temperature | -40°C to +60°C (-40°F to 140°F) |
| Operating Temperature | -40°C to +50°C (-40°F to 122°F) |
| Operating Humidity | Up to 95% @+50°C (122°F) non-condensing |
| Non-Operating Humidity | Up to 95% @+50°C (122°F) non-condensing |
| Maximum Charging Stations per 802.11 Radio Group | 9 maximum. Each station must be located within 46 m (150') "line of sight" of a CPGW gateway |

ChargePoint, Inc. reserves the right to alter product offerings and specifications at any time without notice, and is not responsible for typographical or graphical errors that may appear in this document



ChargePoint, Inc.
240 East Hacienda Avenue
Campbell, CA 95008-6617 USA

Contact Us

Visit [chargepoint.com](https://www.chargepoint.com)

Call +1.408.370.3802 or +1.877.370.3802
US and Canada toll-free

Email sales@chargepoint.com

Copyright © 2021 ChargePoint, Inc. All rights reserved. CHARGEPOINT is a U.S. registered trademark/service mark, and an EU registered logo mark of ChargePoint, Inc. All other products or services mentioned are the trademarks, service marks, registered trademarks or registered service marks of their respective owners. 27 July 2022.

ENERGY STAR certified. Listed by Underwriters Laboratories Inc.

