

ChargePoint® AC Commercial Station

Specifications and Ordering Information



Dual port, pedestal mount, 18 ft cable

CP6000 AC Commercial Station Specifications

Ordering Information

The order codes below represent specific product configurations. Please contact ChargePoint Sales for additional information. Specify model number followed by the applicable code(s).

The order code sequence is Model-Options. Software, Services and Other are ordered as separate line items.

Please note that charging stations without EMV-CHIP readers in California may not be publicly visible or discoverable on the ChargePoint map. Please see below for applicable dates.

- Level 2 (AC) stations without EMV-Chip readers: installed/activated on/after July 1, 2023.
- Direct Current Fast Charging (DCFC) stations without EMV-Chip readers: installed/activated on/after January 1, 2022.

(Reference: 13 CCR § 2360.2. Payment Method Requirements for Electric Vehicle Supply Equipment)

Hardware

Description	Order Code	
Model	80A Dual port, pedestal mount, 18 ft cable	CP6021B-80A-L5.5
	80A Single port, pedestal mount, 18 ft cable	CP6011B-80A-L5.5
	80A Dual port, pedestal mount, 18 ft cable, EMV chip reader	CP6021B-80A-L5.5-CHIP
	80A Single port, pedestal mount, 18 ft cable, EMV chip reader	CP6011B-80A-L5.5-CHIP
	50A Dual port, pedestal mount, 18 ft cable	CP6021B-50A-L5.5
	50A Single port, pedestal mount, 18 ft cable	CP6011B-50A-L5.5
	50A Dual port, pedestal mount, 18 ft cable, EMV chip reader	CP6021B-50A-L5.5-CHIP
	50A Single port, pedestal mount, 18 ft cable, EMV chip reader	CP6011B-50A-L5.5-CHIP
	80A Dual port, wall mount, 18 ft cable	CP6023B-80A-L5.5
	80A Single port, wall mount, 18 ft cable	CP6013B-80A-L5.5
	80A Dual port, wall mount, 18 ft cable, EMV chip reader	CP6023B-80A-L5.5-CHIP
	80A Single port, wall mount, 18 ft cable, EMV chip reader	CP6013B-80A-L5.5-CHIP
	50A Dual port, wall mount, 18 ft cable	CP6023B-50A-L5.5
	50A Single port, wall mount, 18 ft cable	CP6013B-50A-L5.5
	50A Dual port, wall mount, 18 ft cable, EMV chip reader	CP6023B-50A-L5.5-CHIP
	50A Single port, wall mount, 18 ft cable, EMV chip reader	CP6013B-50A-L5.5-CHIP
	80A Dual port, pedestal mount, 23 ft cable	CP6021B-80A-L7
	80A Single port, pedestal mount, 23 ft cable	CP6011B-80A-L7

CP6000 AC Commercial Station Specifications

	80A Dual port, pedestal mount, 23 ft cable, EMV chip reader	CP6021B-80A-L7-CHIP
	80A Single port, pedestal mount, 23 ft cable, EMV chip reader	CP6011B-80A-L7-CHIP
	50A Dual port, pedestal mount, 23 ft cable	CP6021B-50A-L7
	50A Single port, pedestal mount, 23 ft cable	CP6011B-50A-L7
	50A Dual port, pedestal mount, 23 ft cable, EMV chip reader	CP6021B-50A-L7-CHIP
	50A Single port, pedestal mount, 23 ft cable, EMV chip reader	CP6011B-50A-L7-CHIP
	80A Dual port, wall mount, 23 ft cable	CP6023B-80A-L7
	80A Single port, wall mount, 23 ft cable	CP6013B-80A-L7
	80A Dual port, wall mount, 23 ft cable, EMV chip reader	CP6023B-80A-L7-CHIP
	80A Single port, wall mount, 23 ft cable, EMV chip reader	CP6013B-80A-L7-CHIP
	50A Dual port, wall mount, 23 ft cable	CP6023B-50A-L7
	50A Single port, wall mount, 23 ft cable	CP6013B-50A-L7
	50A Dual port, wall mount, 23 ft cable, EMV chip reader	CP6023B-50A-L7-CHIP
	50A Single port, wall mount, 23 ft cable, EMV chip reader	CP6013B-50A-L7-CHIP
Other	Bollard Concrete Mounting Kit	CP6K-CMT-NA

Software and Services

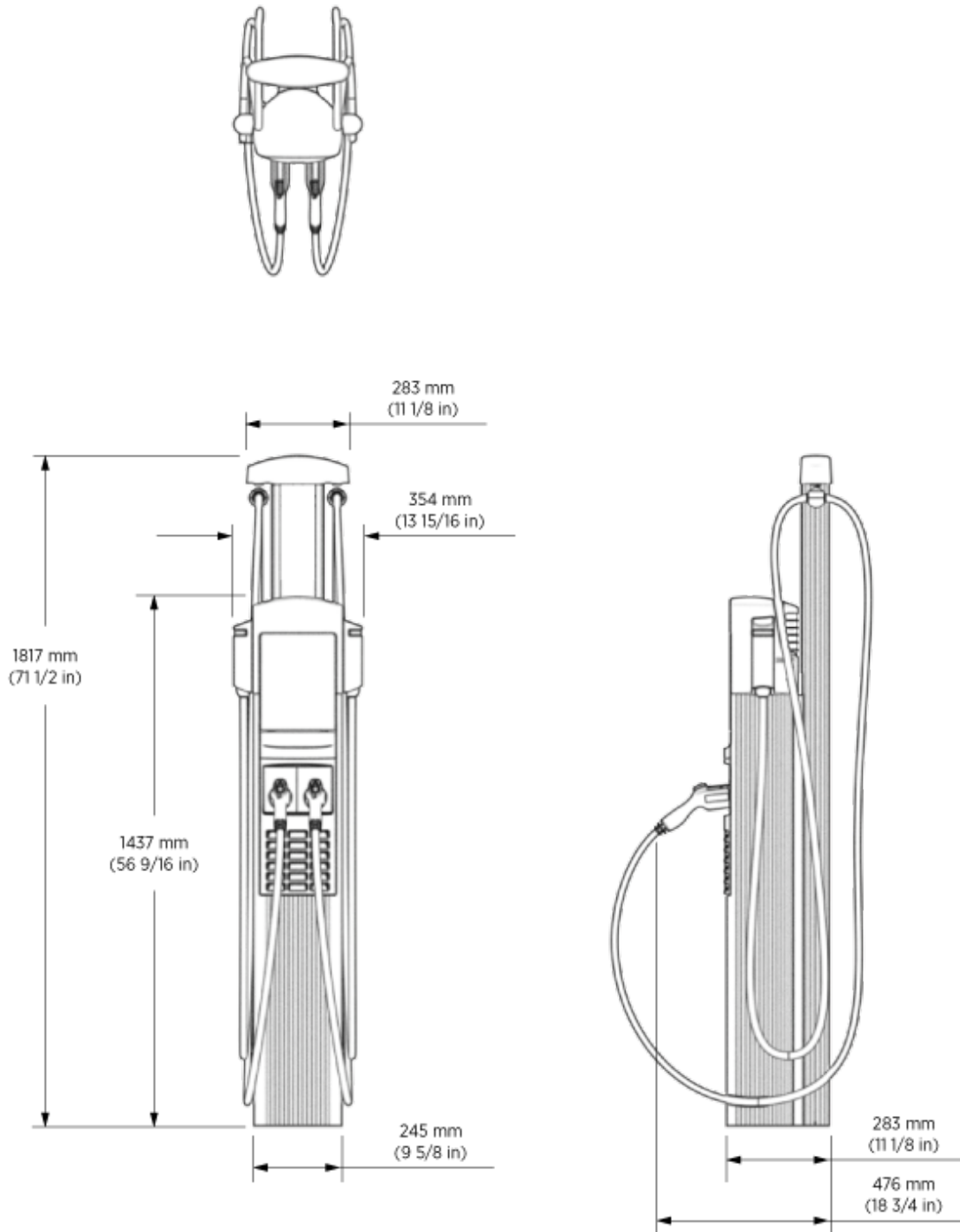
Description	Order Code
ChargePoint Enterprise Plan	CPCLD-ENTERPRISE- <i>n</i> *
ChargePoint Fleet Commercial	CPCLD-COMMERCIAL- <i>n</i> *
ChargePoint Assure	CP6000-ASSURE- <i>n</i> *
Station Activation and Configuration	CPSUPPORT-ACTIVE
ChargePoint Site Validation	CPSUPPORT-SITEVALID
ChargePoint Installation and Validation	CP6000-INSTALLVALID

Note: All CP6000 stations require a network service plan per port.

*Substitute *n* for desired years (1, 2, 3, 4 or 5 years)

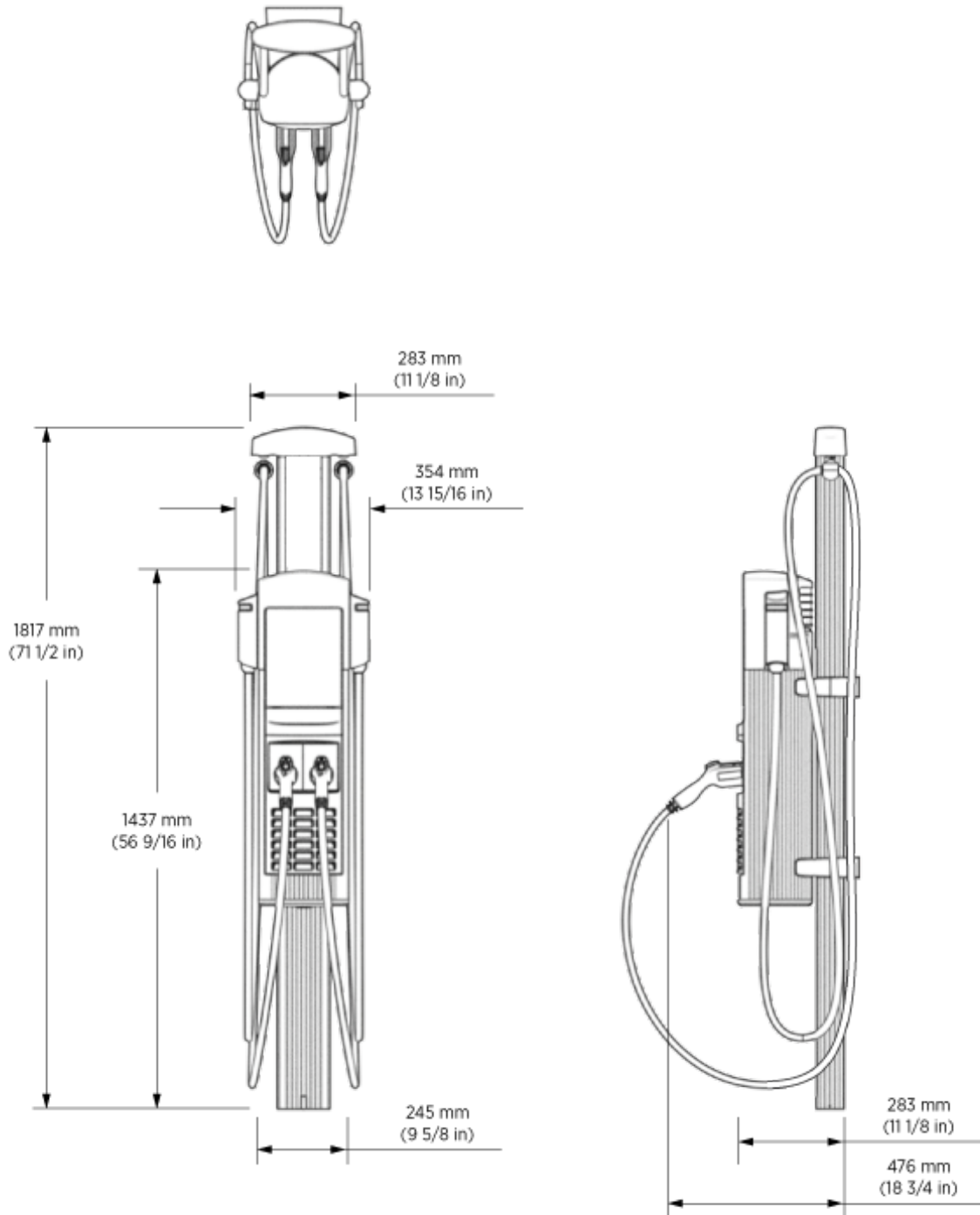
Architectural Drawings and Dimensions

Pedestal Mount



CP6000 AC Commercial Station Specifications

Wall Mount



General Specifications

Electrical Input

The CP6000 AC Commercial Station supports flexible electrical input/output settings up to 80A to fit your fueling needs, whether for a workplace, multi-family dwelling, or other application.

Power Select allows stations to be installed and configured for current lower than the maximum 80A. Power Select current options include 16A, 24A, 32A, 40A, 48A, 50A, 56A, 64A, and 72A.

Power Share allows a dual-port station to share power from a single circuit across two ports, adjusting power depending on whether one or both are charging. Standard wiring uses an independent circuit for each port. Power Share can be used in combination with Power Select.

Station	Electrical Input	Single Port (AC Voltage 208 / 240V AC)			Dual Port (AC Voltage 208 / 240V AC)		
		Input Current	Input Power Connection	Required Service Panel Breaker	Input Current	Input Power Connection	Required Service Panel Breaker
80A	Maximum 80A (Standard)	80A	One 100A branch circuit	100A dual pole (non-GFCI)	80A x 2	Two independent 100A branch circuits	100A dual pole (non-GFCI) x 2
	Maximum 80A (Power Share*)	N/A	N/A	N/A	80A	One 100A branch circuit	100A dual pole (non-GFCI)
	Power Select** 16A - 72A (Standard)	16A - 72A	One branch circuit rated 125% of input current (20A - 90A)	Dual pole (non-GFCI) rated 125% of input current (20A - 90A)	16A - 72A x 2	Two independent branch circuits rated 125% of input current (20A - 90A)	Dual pole (non-GFCI) rated 125% of input current (20A - 90A) x 2
	Power Select 16A - 72A (Power Share)	N/A	N/A	N/A	16A - 72A	One branch circuit rated 125% of input current (20A - 90A)	Dual pole (non-GFCI) rated 125% of input

CP6000 AC Commercial Station Specifications

							current (20A - 90A)
50A	Maximum 50A (Standard)	50A	One 70A branch circuit	70A dual pole (non-GFCI)	50A x 2	Two independent 70A branch circuits	70A dual pole (non GFCI) x 2
	Maximum 50A (Power Share*)	N/A	N/A	N/A	80A	One 70A branch circuit	70A dual pole (non GFCI)
	Power Select** 16A - 48A (Standard)	16A - 48A	One branch circuit rated 125% of input current (20A - 60A)	Dual pole (non-GFCI) rated 125% of input current (20A - 60A)	16A - 48A x 2	Two independent branch circuits rated 125% of input current (20A - 60A)	Dual pole (non-GFCI) rated 125% of input current (20A - 60A) x 2
	Power Select 16A - 48A (Power Share)	N/A	N/A	N/A	16A - 48A	One branch circuit rated 125% of input current (20A - 60A)	Dual pole (non-GFCI) rated 125% of input current (20A - 60A)
Service Panel/Breaker GFCI	Do not provide external GFCI as it may conflict with internal GFCI (CCID)						
Wiring – Standard	3-wire (L1, L2, Earth) No neutral			5-wire (L1, L1, L2, L2, Earth)			
Wiring – Power Share	N/A			3-wire (L1, L2, Earth)			
Station Power	8 W typical (standby), 15 W maximum (operation)						
Line to Ground Voltage	120V +/- 10%						

Electrical Output for 80A Station

Electrical Output	Single Port (AC Voltage 208 / 240V AC)	Dual Port (AC Voltage 208 / 240V AC)
Maximum 80A (Standard)	19.2 kW (240V AC @ 80A)	19.2 kW (240V AC @ 80A)
Maximum 80A (Power Share)	N/A	19.2 kW (240V AC @ 80A) x 1 or 9.6 kW (240V AC @ 40A) x 2
Power Select 16A - 72A (Standard)	3.8 kW - 17.3 kW (240V AC @ 16A - 72A)	3.8 kW - 17.3 kW (240V AC @ 16A - 72A) x 2

CP6000 AC Commercial Station Specifications

Power Select 16A - 72A (Power Share)	N/A	3.8 kW - 17.3 kW (240V AC @ 16A - 72A) x 1 or 1.9 kW - 8.6 kW (240V AC @ 8A - 36A) x 2
---	-----	--

Electrical Output for 50A Station

Electrical Output	Single Port (AC Voltage 208 / 240V AC)	Dual Port (AC Voltage 208 / 240V AC)
Maximum 50A (Standard)	12.0 kW (240V AC @ 50A)	12.0 kW (240V AC @ 50A)
Maximum 50A (Power Share)	N/A	12.0 kW (240V AC @ 50A) x 1 or 6.0 kW (240V AC @ 25A) x 2
Power Select 16A - 48A (Standard)	3.8 kW - 11.5 kW (240V AC @ 16A - 48A)	3.8 kW - 11.5 kW (240V AC @ 16A - 48A) x 2
Power Select 16A - 48A (Power Share)	N/A	3.8 kW - 11.5 kW (240V AC @ 16A - 48A) x 1 or 1.9 kW - 5.8 kW (240V AC @ 8A - 24A) x 2

CP6000 AC Commercial Station Specifications

Mounting and Functional Interfaces

Connector Type	SAE J1772™
Number of Ports	Single, dual
Mounting	Pedestal, wall
Cable Length	18 ft (5.5 m), 23 ft (7m)
Cable Management	Yes
Authentication and Payment	RFID: ISO 15693, ISO 14443, NEMA EVSE 1.2-2015 (UR) NFC (Tap to Charge) Remote: mobile and in vehicle (if supported by vehicle) Contactless credit card EMV chip credit card (for -CHIP models only)
Locking Holster	Yes
ISO 15118 Protocol	Supported by hardware
Display	Full color 8-inch interactive display with full motion video, UV protection, gesture touch controls, and multi-language support

Safety and Connectivity Features

Ground Fault Detection	20 mA CCID with auto retry
Open Safety Ground Detection	Continuously monitors presence of safety (green wire) ground connection
Plug-Out Detection	Power terminated per SAE J1772™ specifications
Energy Measurement	Meter accuracy 1% Accuracy class 2.0 Acceptance tolerance 1.0%
Power Report/Store Interval	15-minute interval aligned to hour. Responsive to load management signals.
Local Area Network	Wi-Fi 2.4 GHz and 5GHz (802.11 a/n/b/g)
Wide Area Network	LTE Category 4
Network Communication Protocol	OCPP 2.0.1
Ethernet connection	Capable with accessory

Safety and Operational Ratings

Station Enclosure Rating	Type 3R per UL 50E
Safety and Compliance	UL and cUL listed; complies with UL 2594, UL 2231-1, UL 2231-2, and NEC Article 625 Energy Star (Dual Port Only) CTEP

CP6000 AC Commercial Station Specifications

Station Surge Protection	6 kV @ 3,000A. In geographic areas subject to frequent thunderstorms, supplemental surge protection at the service panel is recommended.
EMC Compliance	FCC Part 15 Class B
Operating Temperature	-40°C to 50°C (-40°F to 122°F)
Non-Operating Temperature	-40°C to 60°C (-40°F to 140°F)
Terminal Block Temperature Rating	105°C (221°F)
Operating Humidity	Up to 85% @ 50°C (122°F) non-condensing
Non-Operating Humidity	Up to 95% @ 50°C (122°F) non-condensing

ChargePoint, Inc. reserves the right to alter product offerings and specifications at any time without notice and is not responsible for typographical or graphical errors that may appear in this document.