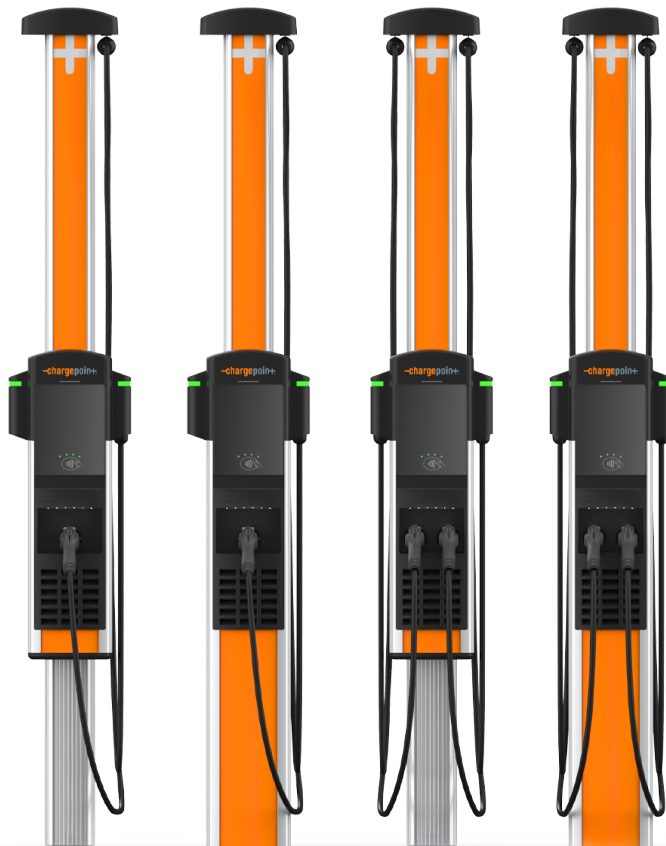


ChargePoint CP6000 Series

Networked Charging Station


Installation Guide




IMPORTANT SAFETY INSTRUCTIONS

SAVE THESE INSTRUCTIONS

WARNING:

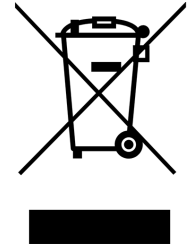
- 
1. **Read and follow all warnings and instructions before servicing, installing, or operating the ChargePoint® charging station.** Install and operate only as instructed. Failure to do so may lead to death, injury, or property damage, and will void the Limited Warranty.
 2. **Only use licensed professionals to install your ChargePoint charging station and adhere to all national and local building codes and standards.** Before installing the ChargePoint charging station, consult with a licensed contractor, such as a licensed electrician, and use a trained installation expert to ensure compliance with local building and electrical codes and standards, climate conditions, safety standards, and all applicable codes and ordinances. Inspect the charging station for proper installation before use.
 3. **Always ground the ChargePoint charging station.** Failure to ground the charging station can lead to risk of electrocution or fire. The charging station must be connected to a grounded, metal, permanent wiring system, or an equipment grounding conductor shall be run with circuit conductors and connected to the equipment grounding terminal or lead on the Electric Vehicle Supply Equipment (EVSE). Connections to the EVSE shall comply with all applicable codes and ordinances.
 4. **Install the ChargePoint charging station on a concrete pad using a ChargePoint-approved method.** Failure to install on a surface that can support the full weight of the charging station can result in death, personal injury, or property damage. Inspect the charging station for proper installation before use.
 5. **This charging station is not suitable for use in Class 1 hazardous locations, such as near flammable, explosive, or combustible vapors or gases.**
 6. **Supervise children near this device.**
 7. **Do not put fingers into the electric vehicle connector.**
 8. **Do not use this product if any cable is frayed, has broken insulation, or shows any other signs of damage.**
 9. **Do not use this product if the enclosure or the electric vehicle connector is broken, cracked, open, or shows any other signs of damage.**
 10. **Use only copper conductor wire rated for 90 °C (194 °F).**



IMPORTANT: Under no circumstances will compliance with the information in a ChargePoint guide such as this one relieve the user of the responsibility to comply with all applicable codes and safety standards. This document describes approved procedures. If it is not possible to perform the procedures as indicated, contact ChargePoint. **ChargePoint is not responsible for any damages that may result from custom installations or procedures not described in this document or that fail to adhere to ChargePoint recommendations.**

Product Disposal

Do not dispose of as part of unsorted domestic waste. Inquire with local authorities regarding proper disposal. Product materials are recyclable as marked.



Document Accuracy

The specifications and other information in this document were verified to be accurate and complete at the time of its publication. However, due to ongoing product improvement, this information is subject to change at any time without prior notice. For the latest information, see our documentation online at chargepoint.com/guides.

Copyright and Trademarks

©2013-2023 ChargePoint, Inc. All rights reserved. This material is protected by the copyright laws of the United States and other countries. It may not be modified, reproduced, or distributed without the prior, express written consent of ChargePoint, Inc. CHARGEPOINT is a US, UK, and EU registered trademark and service mark of ChargePoint, Inc. and cannot be used without the prior written consent of ChargePoint.

Symbols

This guide and product use the following symbols:



DANGER: Risk of electric shock



WARNING: Risk of personal harm or death



CAUTION: Risk of equipment or property damage



IMPORTANT: Crucial step for installation success



Read the manual for instructions



Ground/protective earth

Illustrations Used in This Document

The illustrations used in this document are for demonstration purposes only and may not be an exact representation of the product. However, unless otherwise specified, the underlying instructions are accurate for the product.

Contents

IMPORTANT SAFETY INSTRUCTIONS	ii
1 Introduction	1
Accessing Complete Documentation	2
Power Management	2
Site Requirements	2
Bring These Tools and Materials	3
Inspect the Boxes for Contents	4
2 Install a Pedestal Mount	5
Prepare the Pedestal for Mounting	5
Mount the Pedestal	7
Install the Housing	12
Install the CMK	17
3 Install a Wall Mount	25
Mount the Brackets	25
Mount the CMK	28
Prepare the Housing	33
Install the Housing	36
Install the Conduit	38
4 Connect Wiring - North America	39
Grounding Requirements	39
Install Circuit Sharing Jumpers	42
Install the Power Plate	43
Connect the Wiring	44
Check Voltages	52
5 Assemble the Station	53
Connect the Head Assembly	53
Install Cable Clamps	64

6 Complete Station Setup	69
Power Up	69
Configure and Pinpoint the Station	72
Start a Charging Session	75
Questions?	75

Introduction 1

The ChargePoint CP6000 is an all-purpose charging station for property owners, businesses, and municipalities. It can be mounted on a pedestal or a wall.

CP6000 charging stations are alternating current (AC) supply equipment. Once they are installed and activated, they are connected to the AC network.

Note: CP6000 charging stations do not have ventilation capabilities.

IMPORTANT: You must be a licensed electrician and complete online training to become a ChargePoint certified installer. If you do not complete training, you cannot access the ChargePoint network to complete installation.



Find online training at: chargepoint.com/installers

If the charging station is not installed by a ChargePoint certified installer, using a ChargePoint approved method, it is not covered under warranty and ChargePoint is not responsible for any malfunctions.

Note: CP6000 charging stations are available in several configurations. The images in this guide might not match your station exactly; however, the installation steps are the same unless otherwise noted.

Accessing Complete Documentation

Access ChargePoint documents at chargepoint.com/guides.

Document	Content	Primary Audiences
Datasheet	Full station specifications	Site designer, installer, and station owner
Site Design Guide	Civil, mechanical, and electrical guidelines to scope and construct the site	Site designer or engineer of record
Concrete Mounting Template Guide	Instructions to embed the charging station template in a concrete pad with anchor bolts and conduit placement	Site construction contractor
Construction Signoff Form	Checklists used by contractors to ensure the site is correctly completed and ready for product installation	Site construction contractor
Installation Guide	Anchoring, wiring, and powering on	Installer
Operation and Maintenance Guide	Operation and preventive maintenance information	Station owner, facility manager, and technician
Service Guide	Component replacement procedures, including optional components	Service technician
Declaration of Conformity	Statement of conformity with directives	Purchasers and public

Power Management

Using ChargePoint Power Management technology, sites can install more stations than would otherwise be supported by the available electrical service. A maximum aggregate load is defined for a group of charging stations. ChargePoint cloud-based services manage the individual power output of each station (or port) to ensure the maximum load is never exceeded.

A CP6000 charging station provides up to 80 A of output current to each charging port.

Site Requirements

Ensure that the appropriate wiring, circuit protection, and metering are in place at the installation location by reviewing the Site Design Guide and the Datasheet, as well as the wiring diagrams and grounding requirements in the Connect Wiring chapter.



IMPORTANT: Ensure the installation complies with all applicable codes and ordinances.

Bring These Tools and Materials

To install CP6000 charging stations, you need the following tools:



L wrench - Torx end (T25)
included, combined with 4 mm hex



L wrench - Hex end (4 mm)
included, combined with T25 Torx



Mini-ratchet wrench



Torx screwdriver (T25)



Adjustable torque wrench
nut size 4 mm and 24 mm



8 mm hex wrench



Wire stripper



Level



Multimeter
(solenoid type voltmeter preferred)



Diagonal wire cutter



CMK ball removal (included)



#3 Philips screwdriver



Drill and tap for appropriate wall
attachment hardware
(wall mount stations only)



10 mm socket



Protective cut-proof gloves

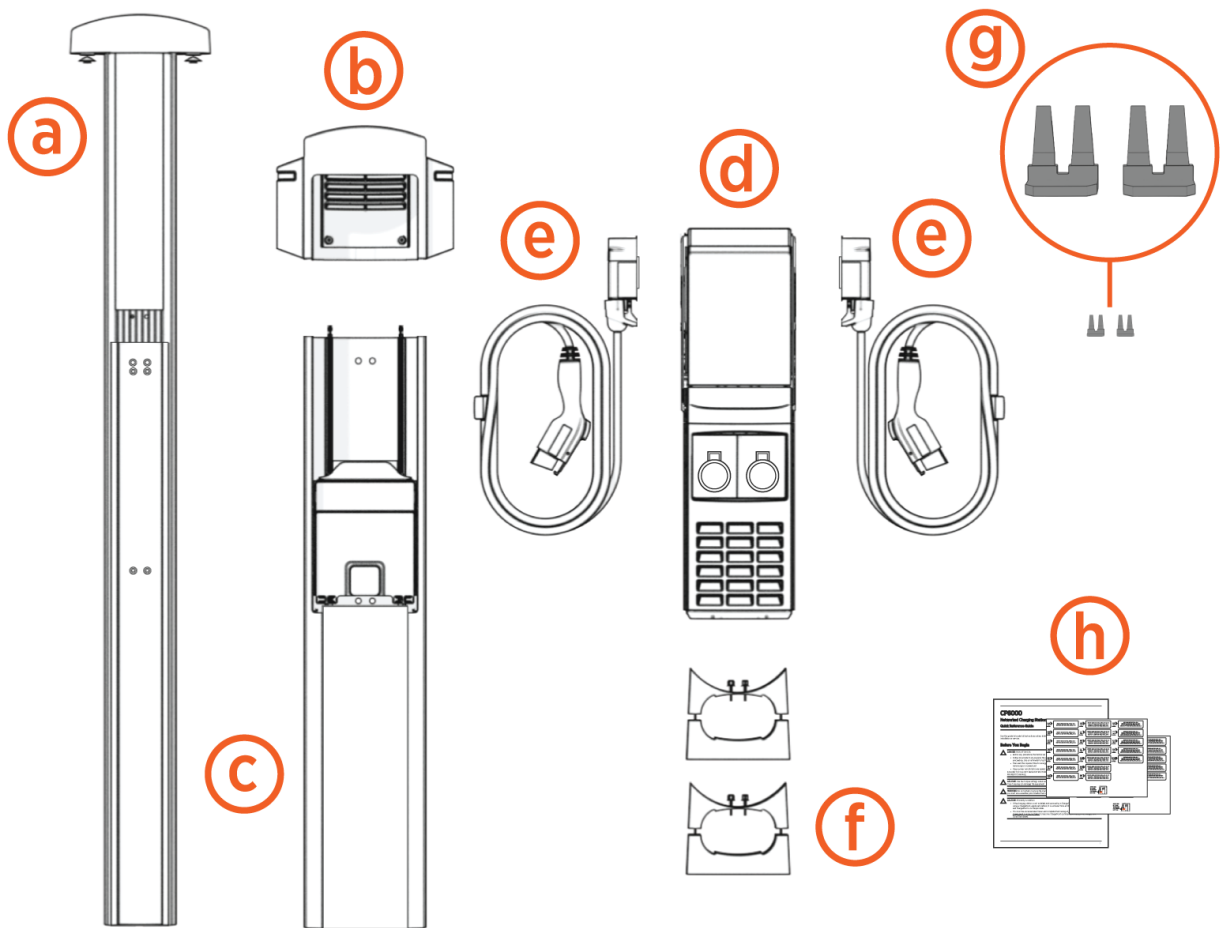
Wall mounting hardware requirements vary based on surfaces:

- Masonry anchors rated for at least 318 kg (700 lb) of pull-out force.
- Attachment hardware appropriate for mounting surface. For example, use 10 x 75 mm (3/8 x 3 in) lag bolts if mounting on a wooden wall.

Inspect the Boxes for Contents

The CP6000 ships in multiple boxes. Check to make sure you have all of the following parts before beginning work.

- a. Cable Management Kit (CMK)
- b. Top cap
- c. Pedestal or wall mount enclosure
- d. Head unit assembly
- e. Smart EV cables
- f. Mounting adapter (only wall mount stations)
- g. Circuit share jumper kit
- h. Quick Reference Guide, rating labels



IMPORTANT:

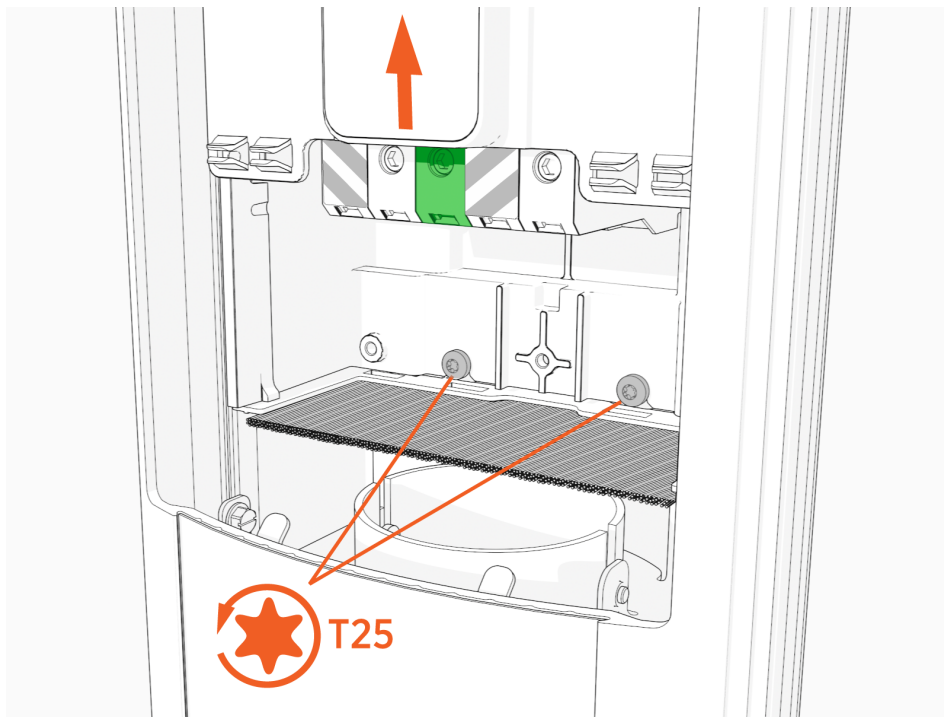


If a single supply circuit is feeding a dual port station, you **MUST** install power management jumpers for both ports to operate correctly. Contact ChargePoint Support to order power management jumpers if required.

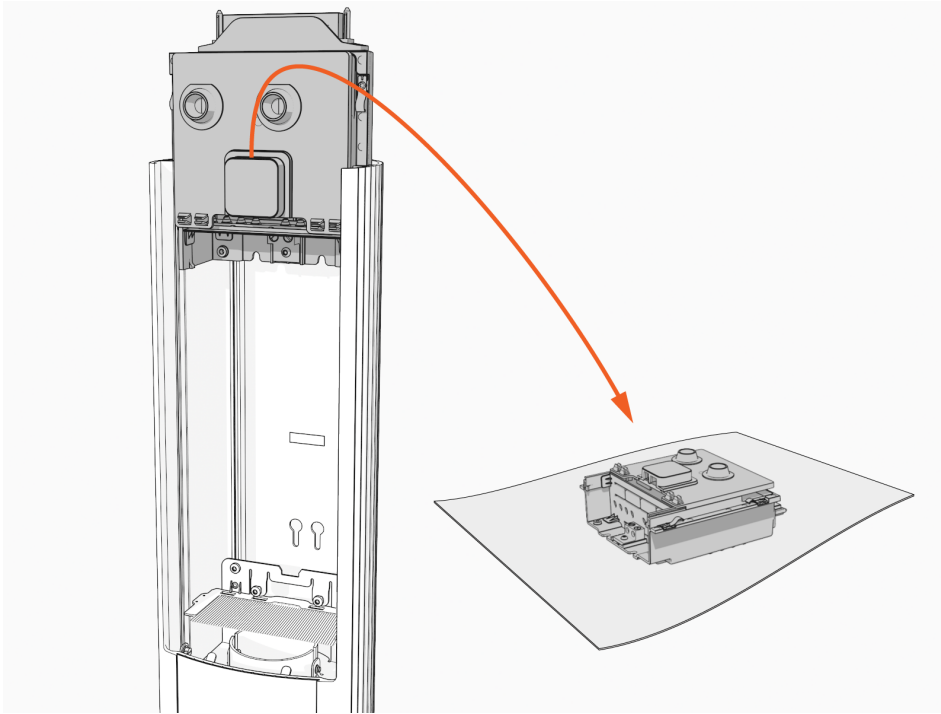
Install a Pedestal Mount 2

Prepare the Pedestal for Mounting

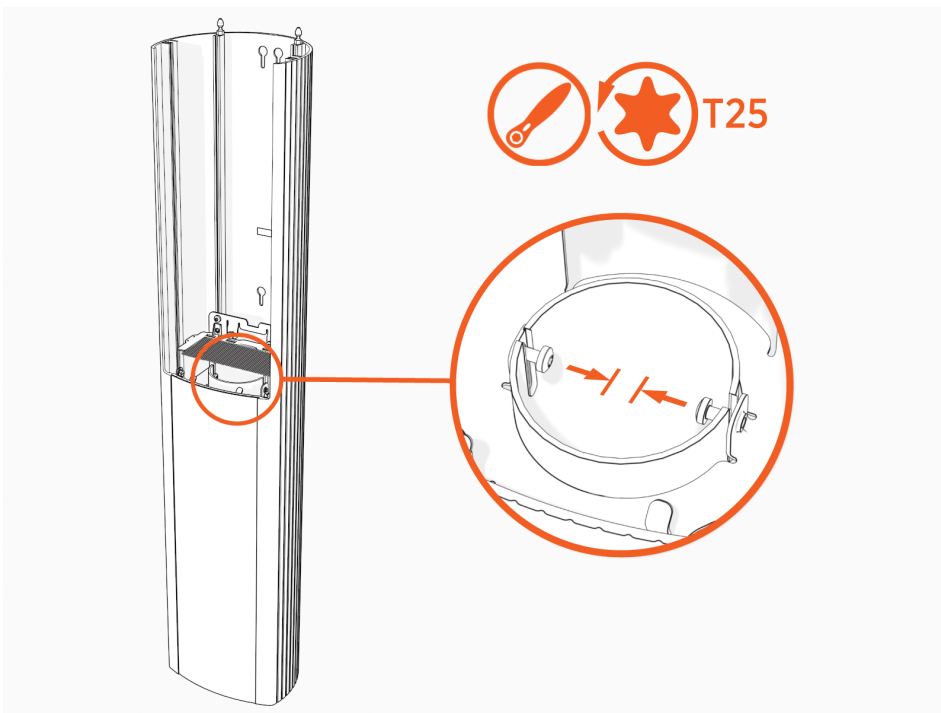
1. Lift the power plate cover. Loosen, but do not remove, two screws.



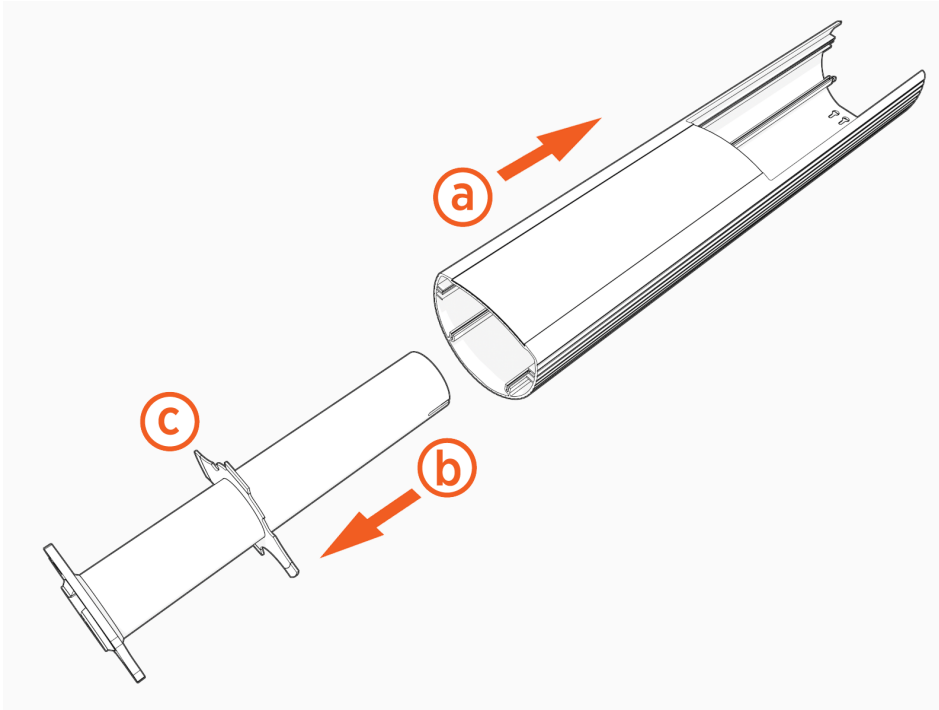
-
2. Remove the power plate and set it gently on a padded surface.



3. Use the L-wrench or mini-ratchet wrench to loosen, but not remove, two screws.



4. Remove the housing (a) from the pedestal (b). Keep the rubber spacer (c) in place.

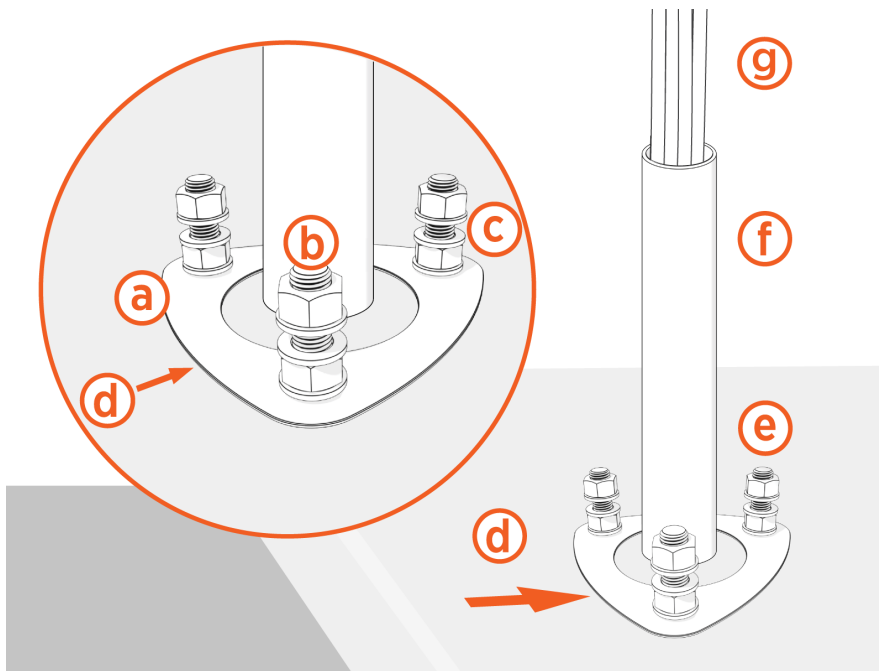


Mount the Pedestal

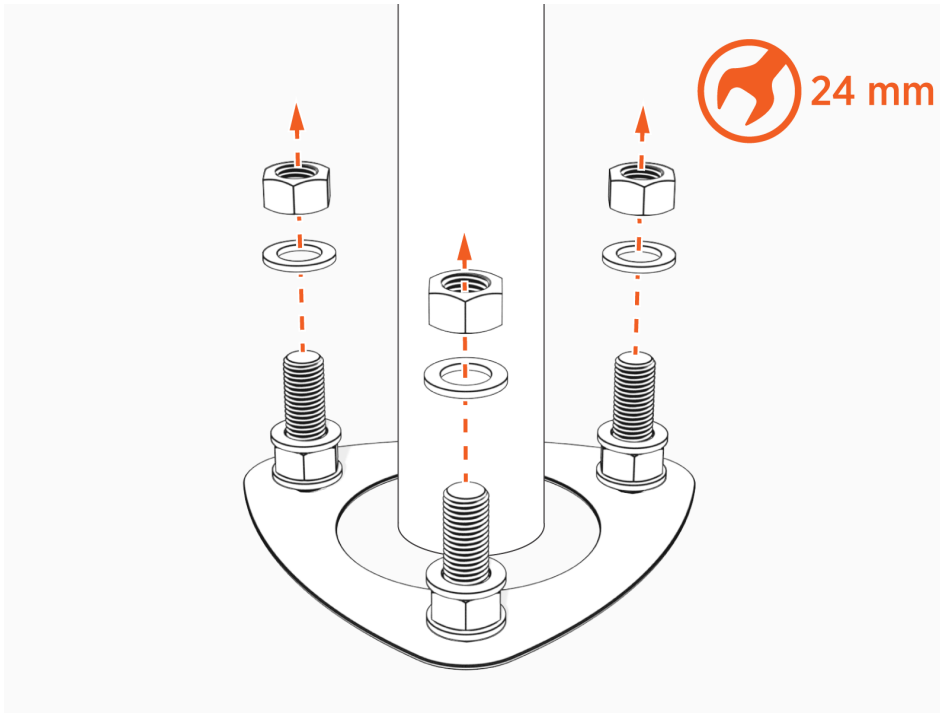
1. Confirm that the location has been prepared according to the Site Design Guide and the Concrete Mount Template by visiting [chargepoint.com/guides](https://www.chargepoint.com/guides).

2. You should see the following:

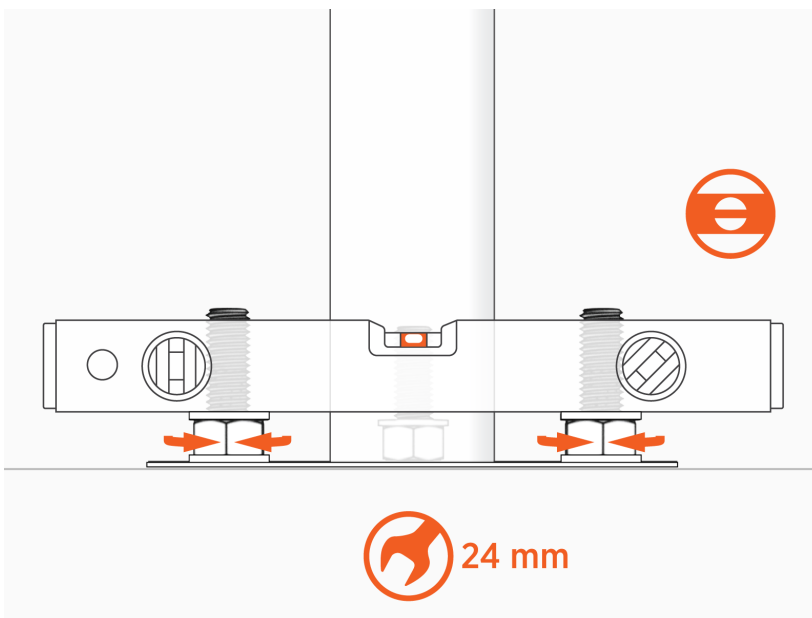
- a. Concrete mounting template
- b. Three bolts set into concrete
- c. Two nuts and three washers on each bolt
- d. Template front
- e. Bolts extending 60 mm (2 1/3 in) to 100 mm (4 in)
- f. Conduit stub-up measuring 152 mm (6 in) to 590 mm (2 ft)
- g. Approximately 1.5 m (5 ft) of service wiring
- h. CPF50 adapter cover (only if replacing CPF50)



3. Remove top nuts and washers.



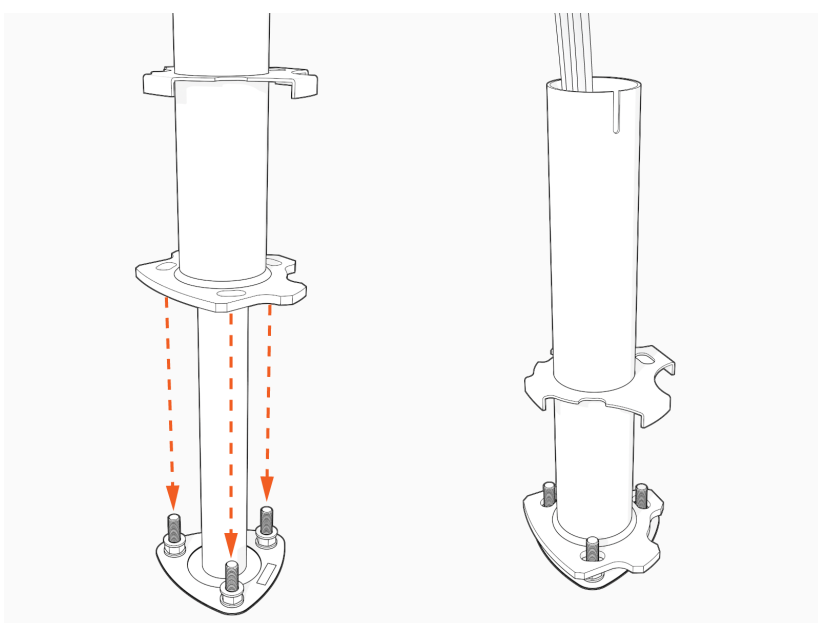
4. Adjust the lower nuts as necessary to be level.



-
5. Place the pedestal over the conduit and route the wiring through the pedestal.

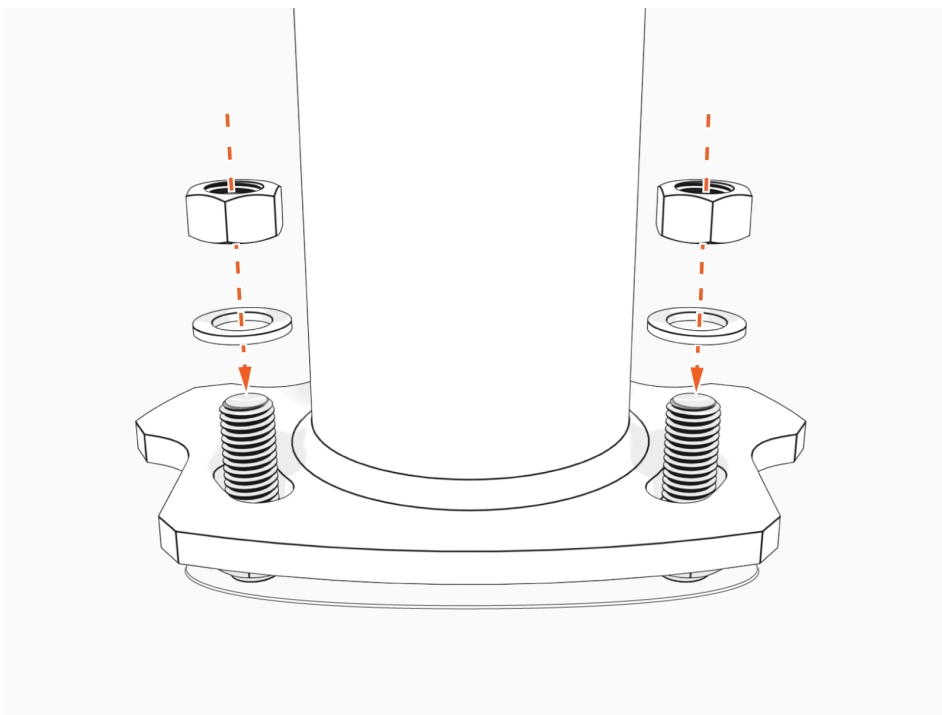


IMPORTANT: Avoid damaging the conduit.



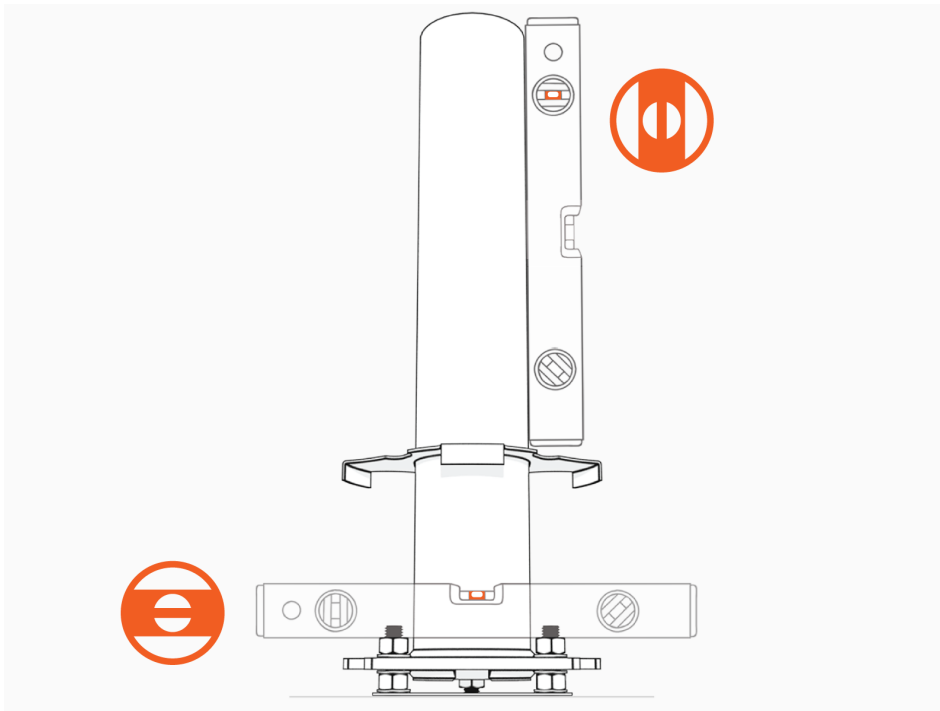
IMPORTANT: Ensure the pedestal is facing the parking space.

6. Fasten the pedestal to the bolts and hand tighten.

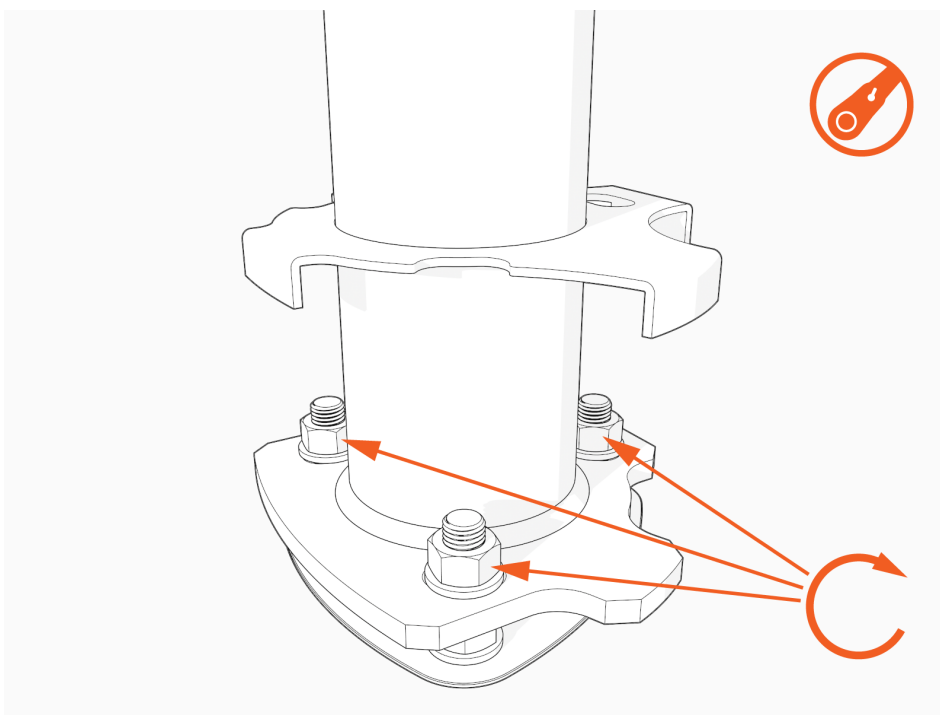


7. Ensure pedestal is level and plumb.

Verify accuracy after each adjustment by positioning the level at various locations on the pedestal, above each bolt.

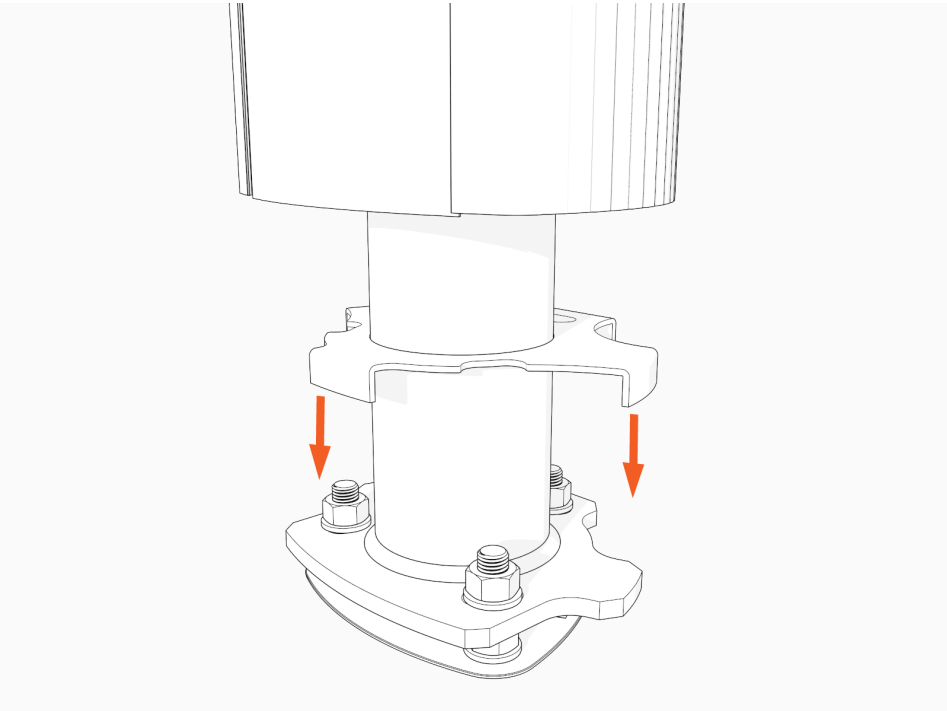


8. Torque the top nuts to 120 Nm (88 ft-lb).

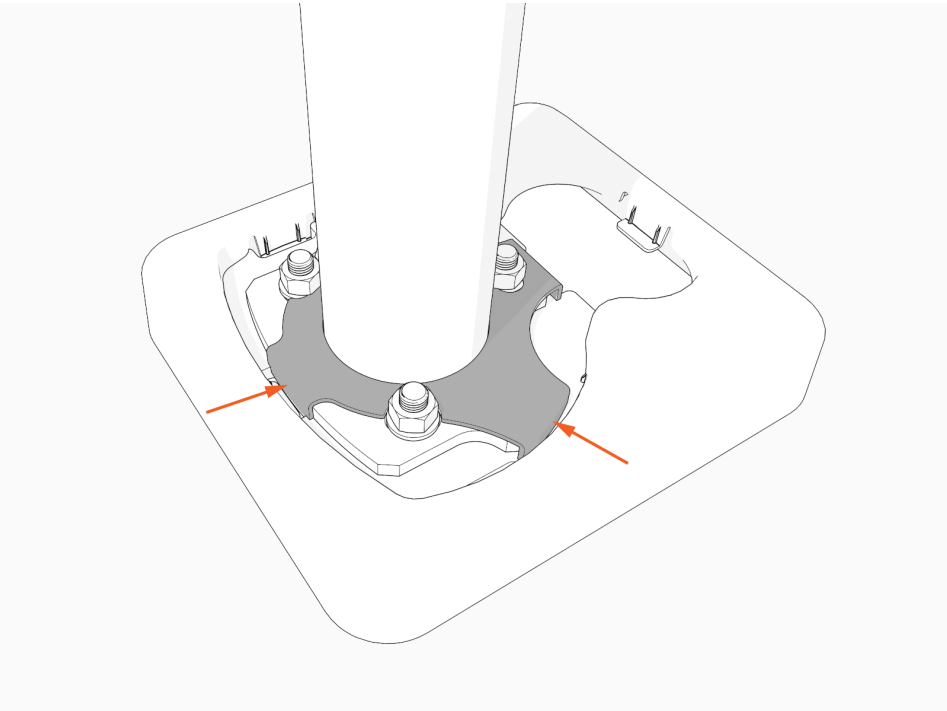


Install the Housing

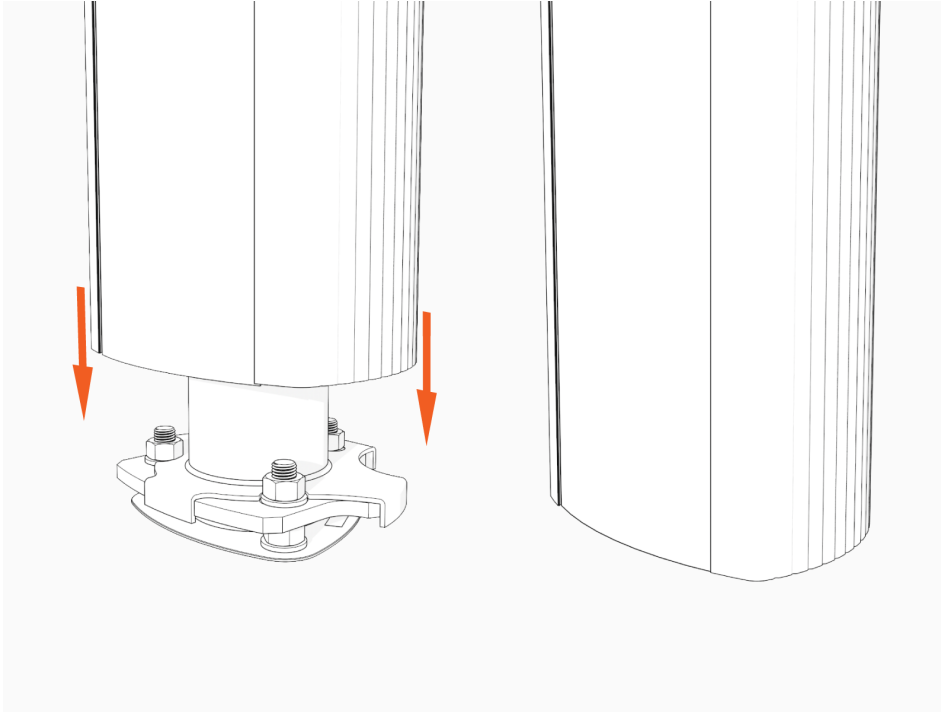
- 1. Align and slide the rubber spacer down.



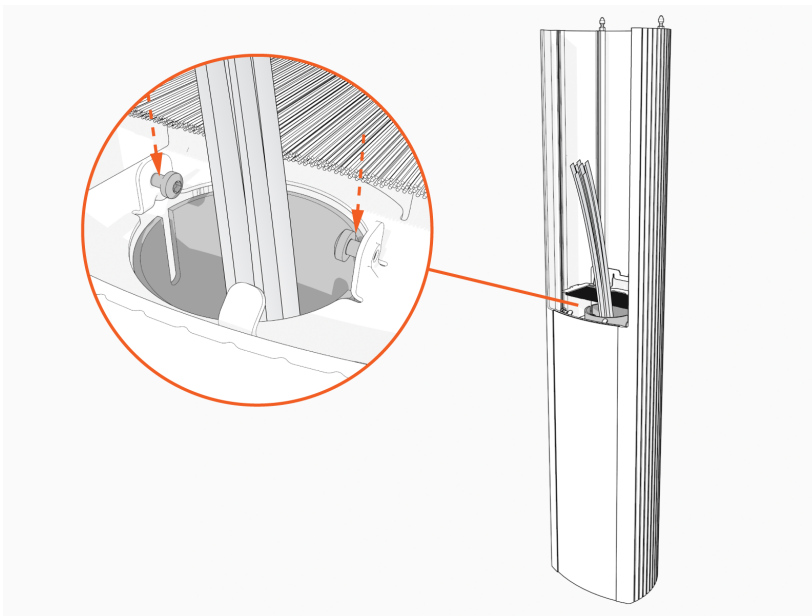
- 2. Optional: If replacing a CPF50, tuck the edges of the rubber spacer below the black plastic cover.



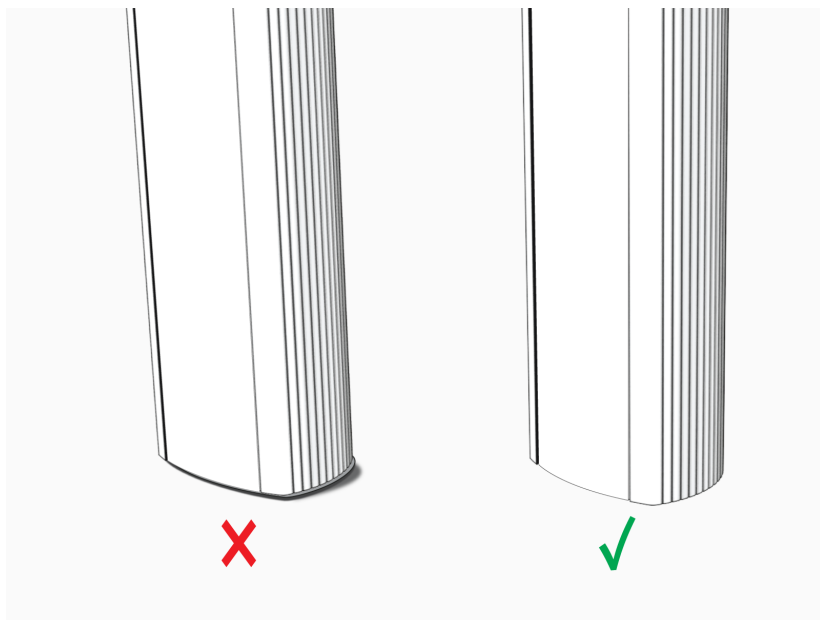
3. Slide the housing down.



4. Align the screws.

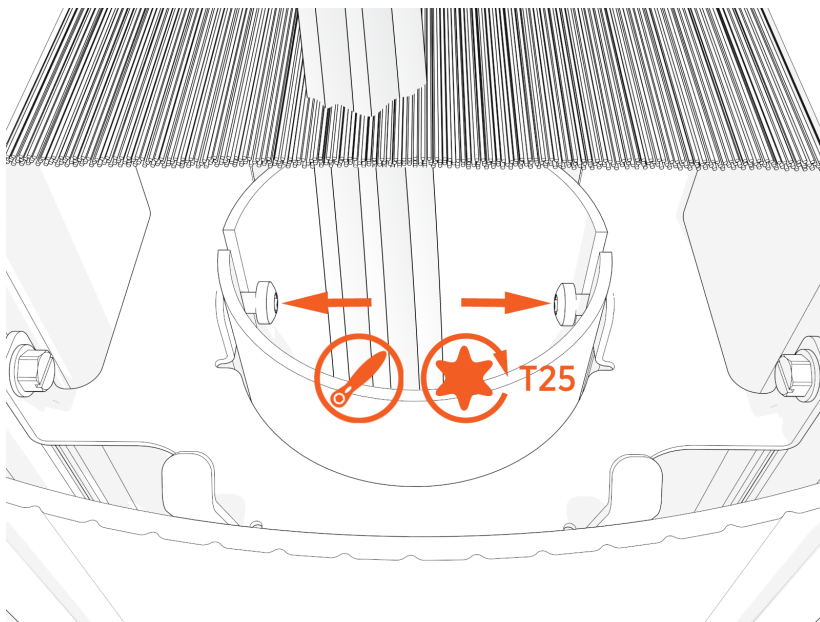


- Firmly align pedestal to the bottom surface.



IMPORTANT: Do not seal the pedestal to the concrete pad with caulking, silicone, or other sealing material. The pedestal is designed to shed moisture between its bottom surface and the concrete pad. Sealing the pedestal to the concrete can trap water inside the housing.

- Use the L-wrench or mini-ratchet wrench to torque screws to 4.6 Nm (40 in-lb).



Alternative Installation: Side Mounted Conduit

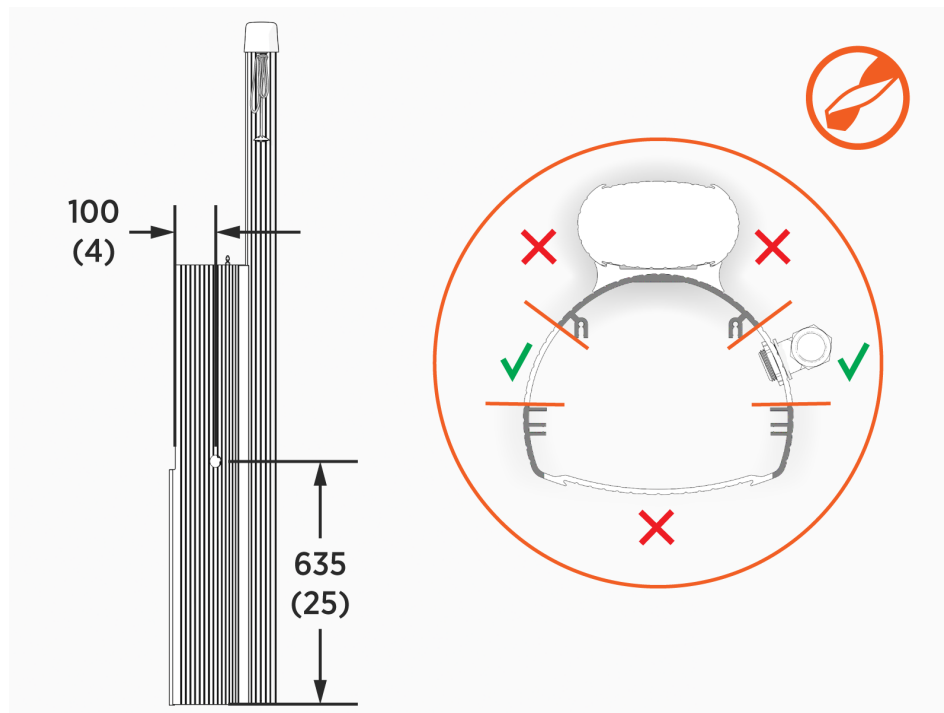
If the conduit cannot come from below the pedestal (existing concrete in a parking garage, for example), mount the pedestal and ensure it is level and tight, then follow these steps.

You need a hole saw or a knockout punch.

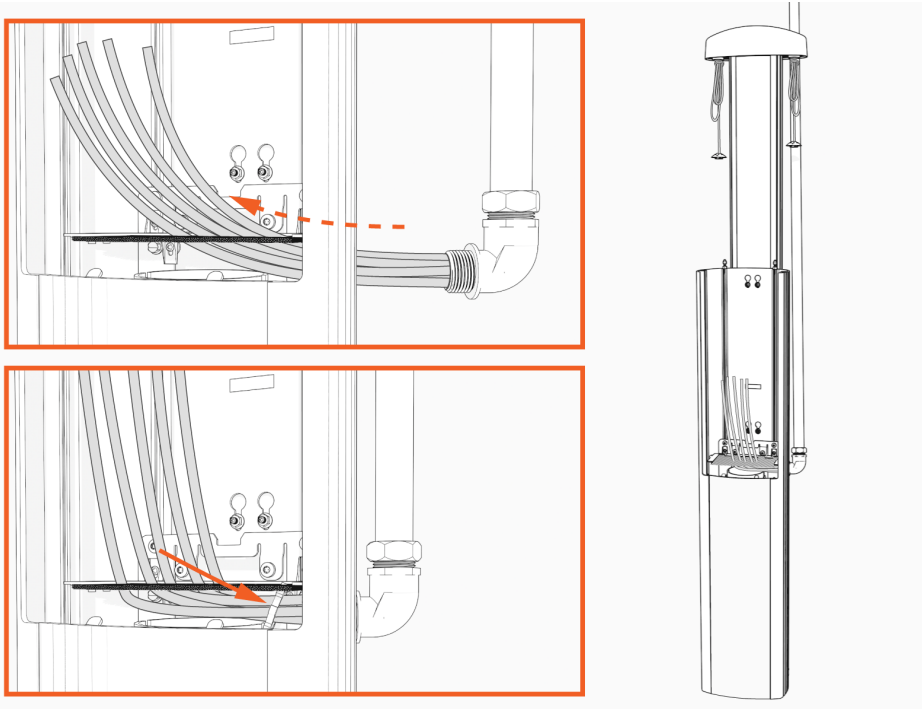
1. Mark the conduit entry point on either side of the housing. The center of the opening must be 635 mm (25 in) from the bottom and 100 mm (4 in) from the front, a location that does not intersect any internal ribs.

Drill or punch a hole for a 32 mm (1.25 in) trade size knockout.

Note: Images are not to scale. Measurements appear in metric units (mm), followed by imperial equivalents (inches).



-
2. Pull wire through the conduit, protecting the wires from sharp edges of the internal structural components.



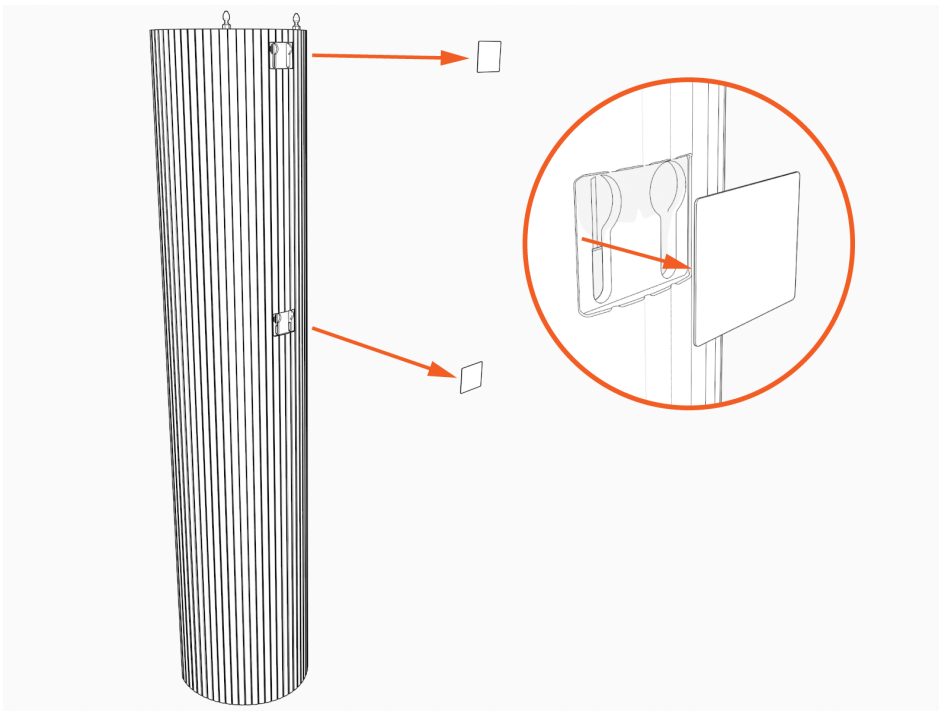
3. Seal the conduit entry into the pedestal housing using an approved sealing method.



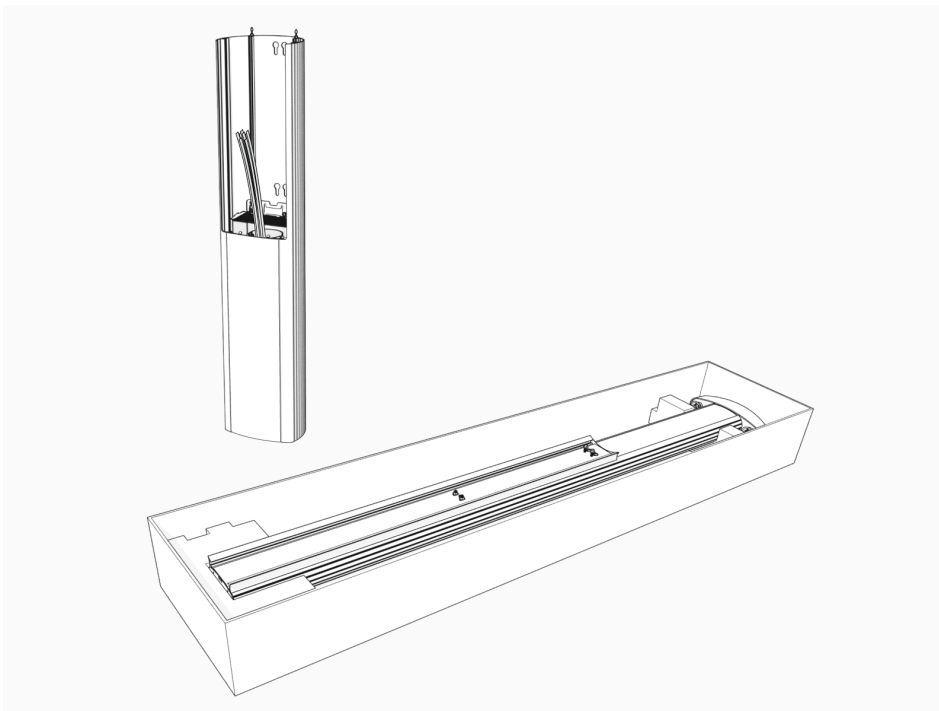
IMPORTANT: Ensure the installation complies with all applicable codes and ordinances.

Install the CMK

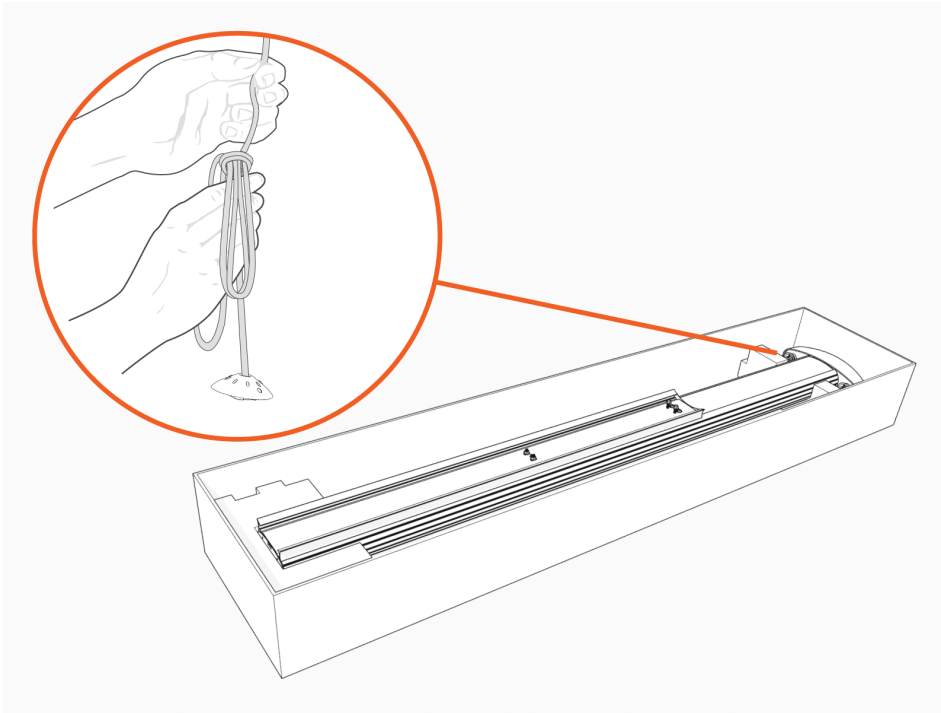
1. Remove the two stickers covering the holes on the back of the pedestal housing.



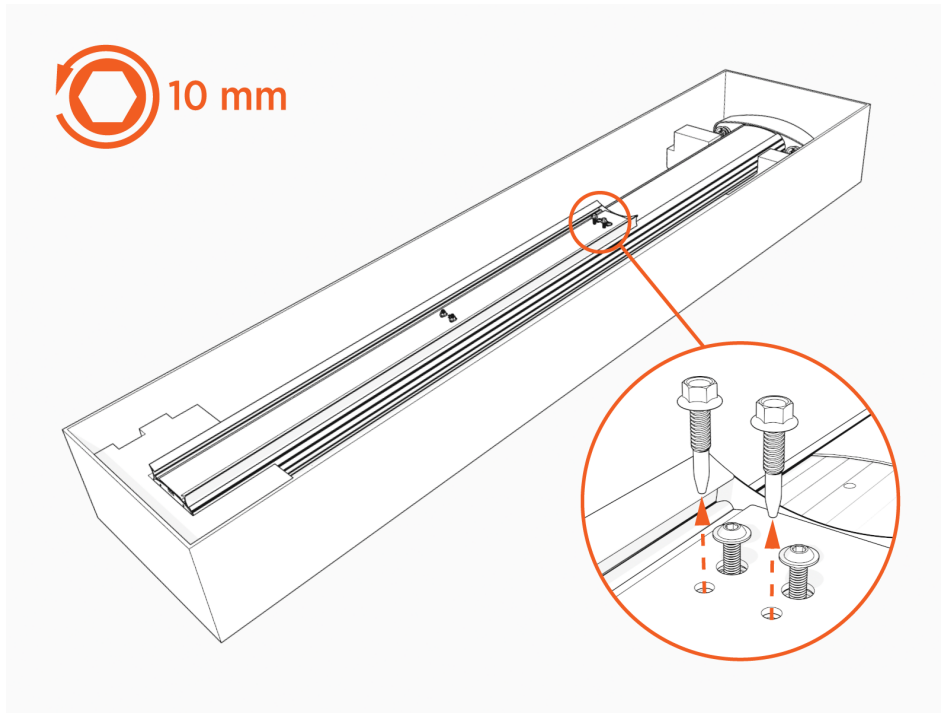
2. Position the Cable Management Kit (CMK) packaging near the base of the pedestal.



-
3. If you do not see a knot tied near the top of the cable clamp rope, pull the rope out about 600 mm (2ft) and tie a slip knot near the top of the CMK.

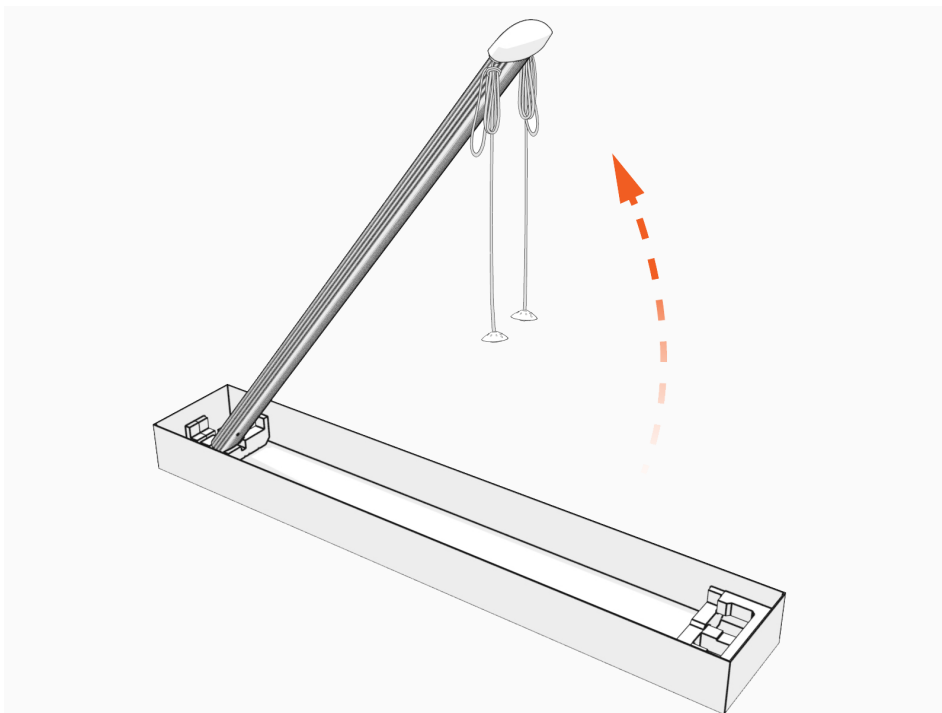


4. Remove and discard the shipping screws.

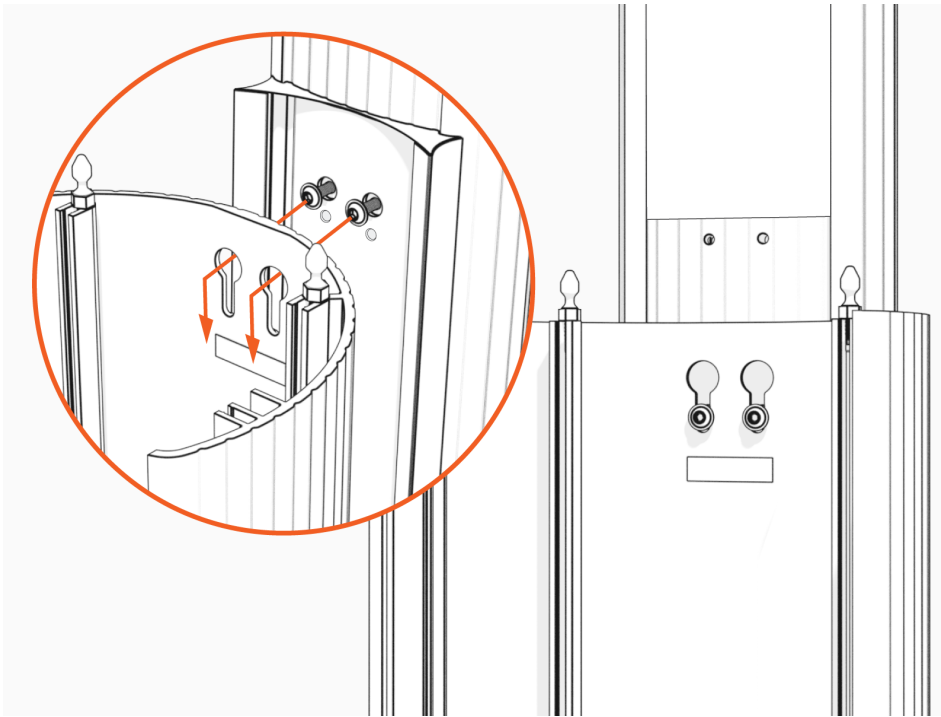


WARNING: When you remove the shipping screws, the counterweights are free to move in either direction. To prevent damage or injury, always carry the assembly with the top end higher than the bottom end.

-
5. Stand the CMK upright slowly. The counterweights will drop.

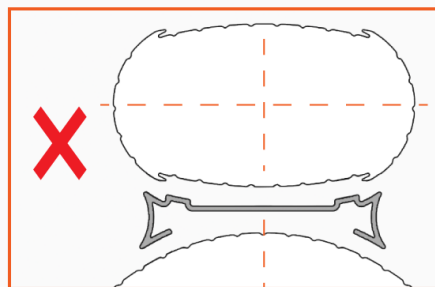
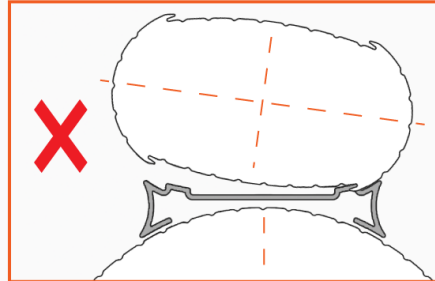
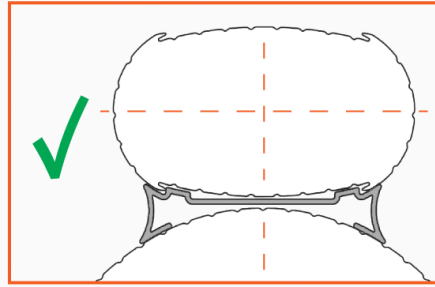
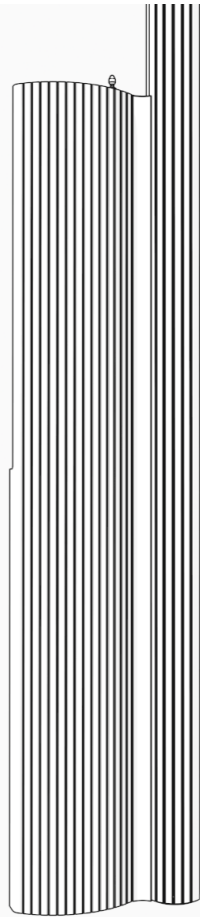


6. Place the CMK behind the pedestal housing and align the mounting screws (top) and nuts (bottom). Lower the CMK.

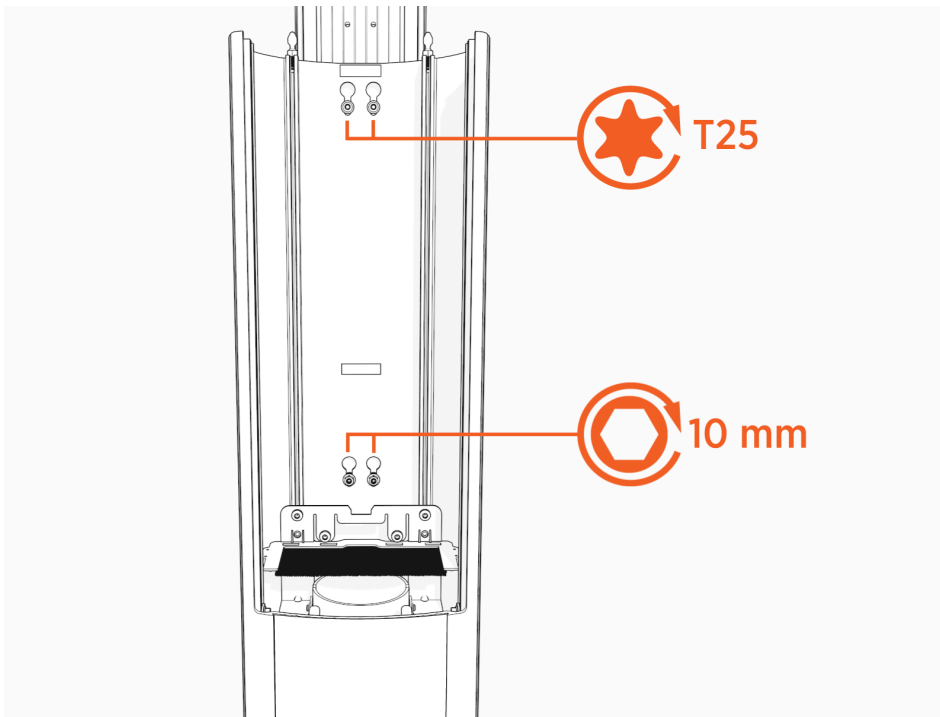




IMPORTANT: Make sure there is no gap between the spacer and the pedestal housing.



7. Torque the top T25 screws to 5.7 Nm (50 in-lb). Use a 10 mm wrench to tighten the nuts near the bottom to 5.7 Nm (50 in-lb).



After installing the pedestal mount, go to [Connect Wiring - North America](#).

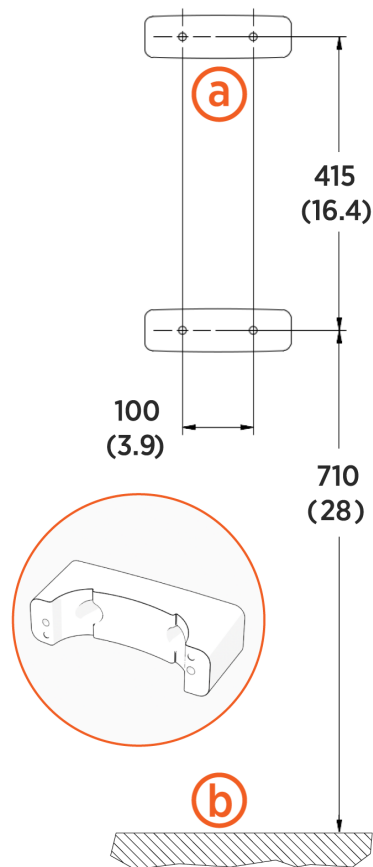
Install a Wall Mount 3

Mount the Brackets

1. Mark holes and ensure they are level.

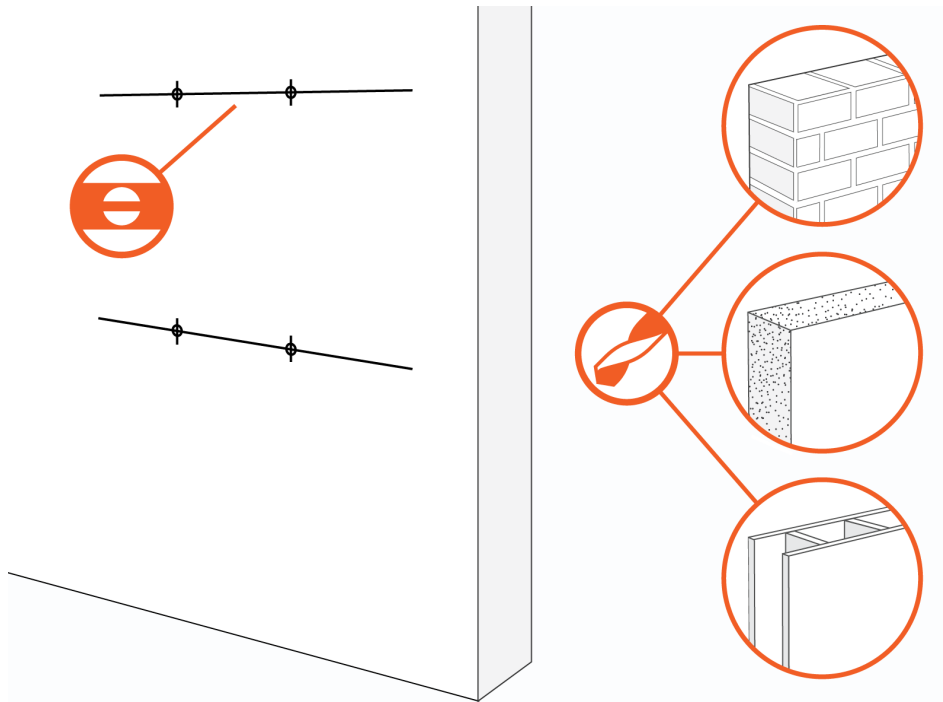
Note: Images are not to scale. Measurements appear in metric units (mm), followed by imperial equivalents (inches).

- a. Wall mount brackets
- b. Ground level



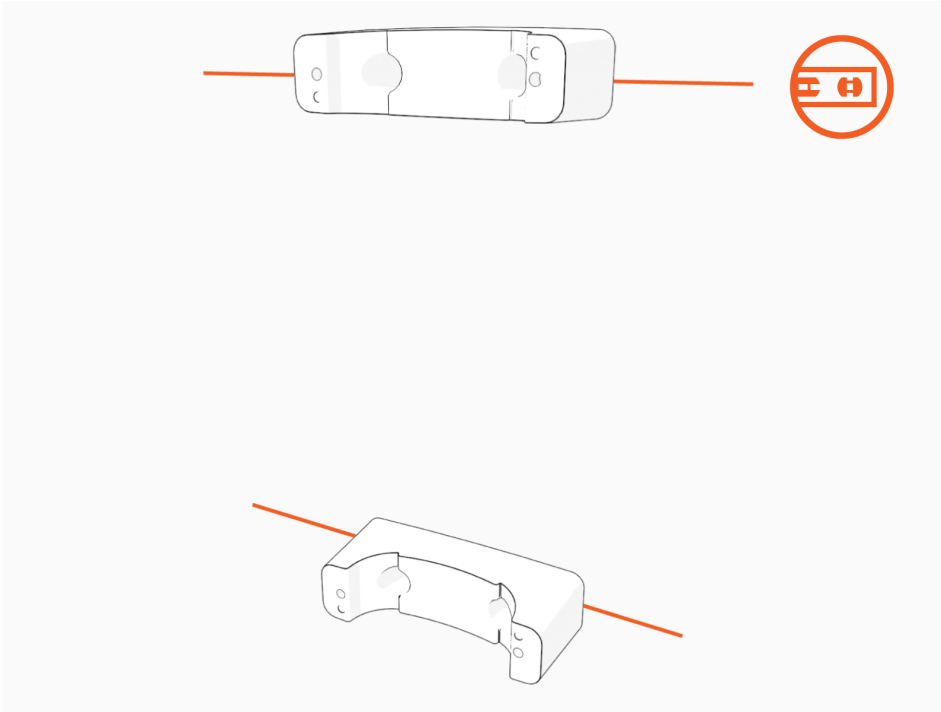
2. Use a drill and bit appropriate for the type of wall to drill four holes.

3. For masonry or concrete walls, insert masonry anchors (not included) rated for at least 318 kg (700 lb) of pull-out force.



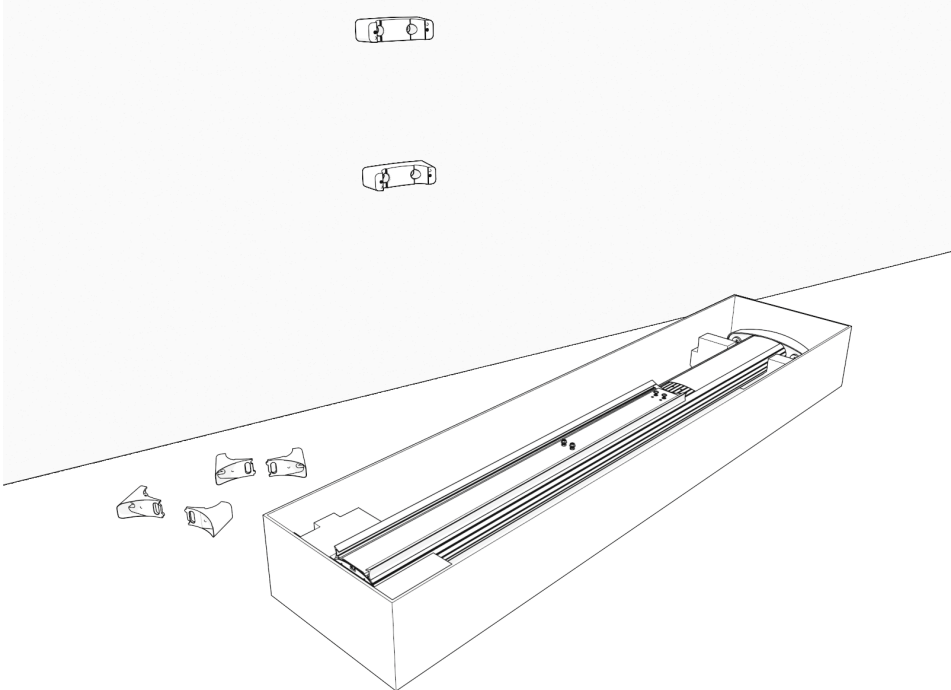
Hollow wall	<ul style="list-style-type: none"> • Bridge two studs with channel strut
Wood studs	<ul style="list-style-type: none"> • 10 mm (3/8 in) lag bolts; at least 64 mm (2 1/2 in) long • 10 mm (3/8 in) washers, • Appropriate channel strut nuts
Masonry wall	<ul style="list-style-type: none"> • 10 mm (3/8 in) expanding masonry fasteners
Wood wall	<ul style="list-style-type: none"> • 10 mm (3/8 in) x 75 mm (3 in) lag bolts

4. Mount brackets and ensure they are level.

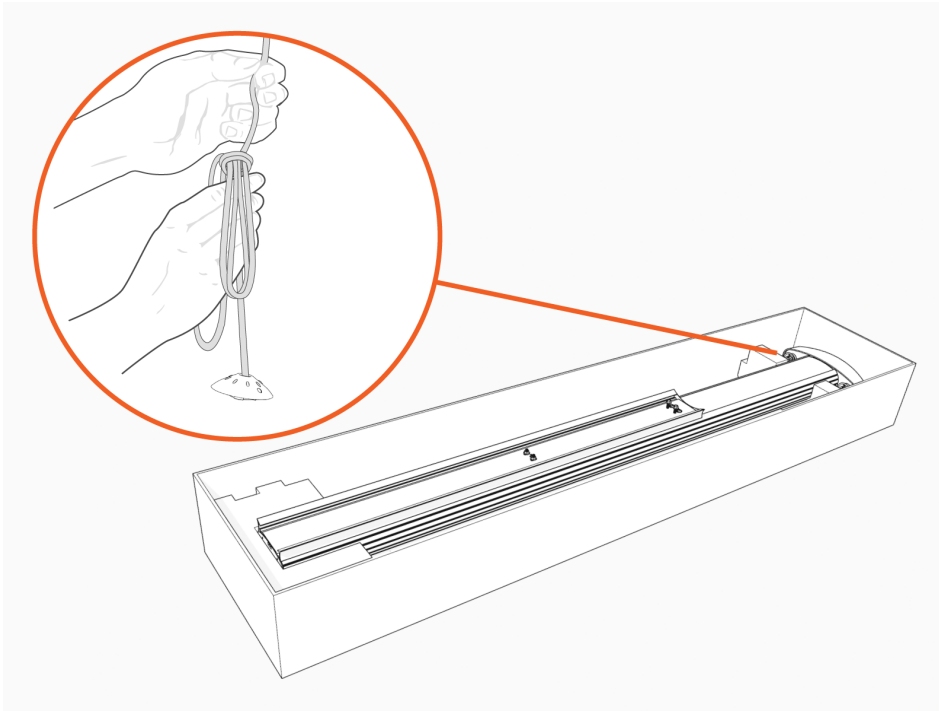


Mount the CMK

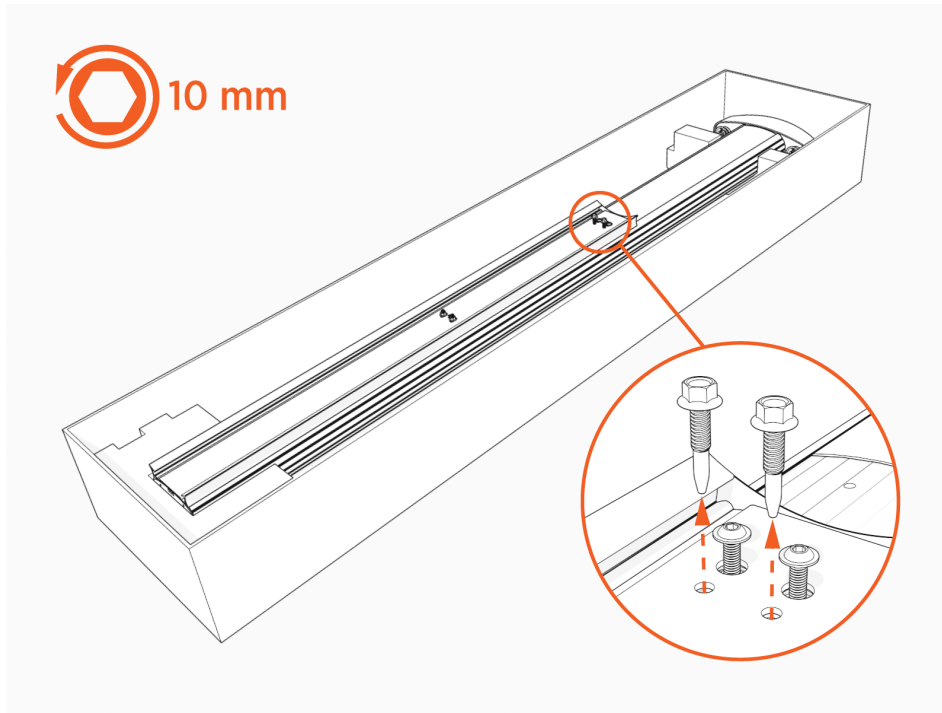
- 1. Position the Cable Management Kit (CMK) packaging near the wall. Place the front brackets within reach.



2. If you do not see a knot tied near the top of the cable clamp rope, pull the rope out about 600 mm (2ft) and tie a slip knot near the top of the CMK.

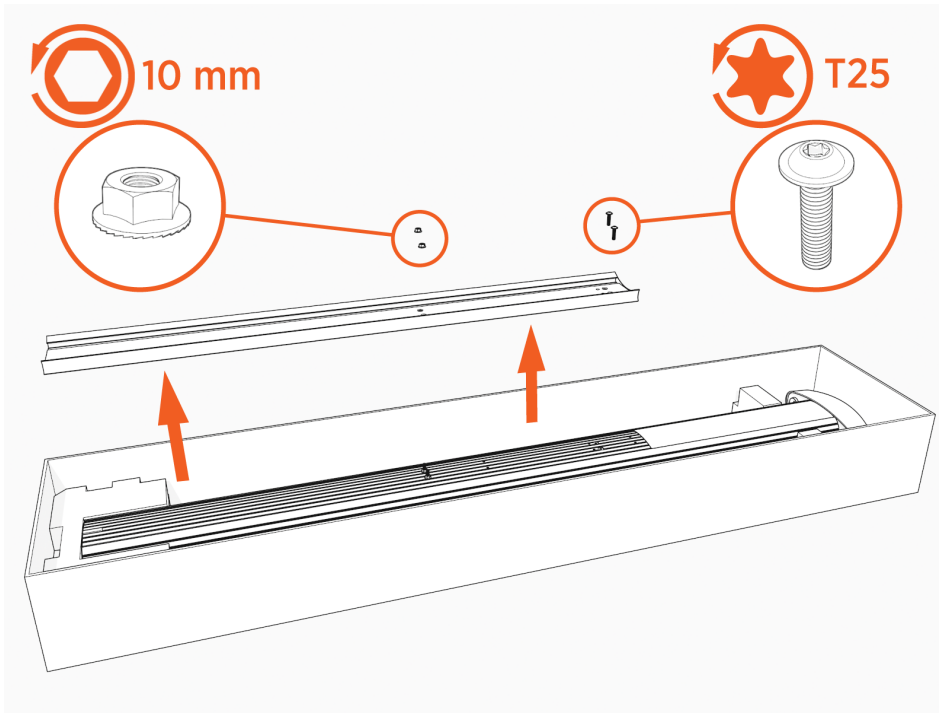


-
3. Remove and discard the shipping screws.

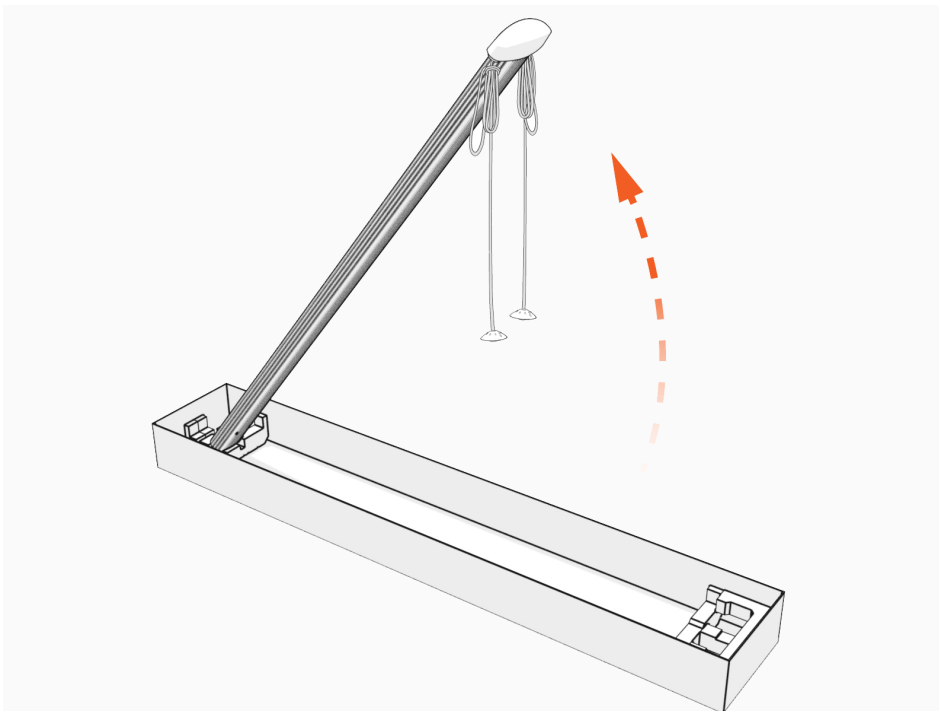


WARNING: When you remove the shipping screws, the counterweights are free to move in either direction. To prevent damage or injury, always carry the assembly with the top end higher than the bottom end.

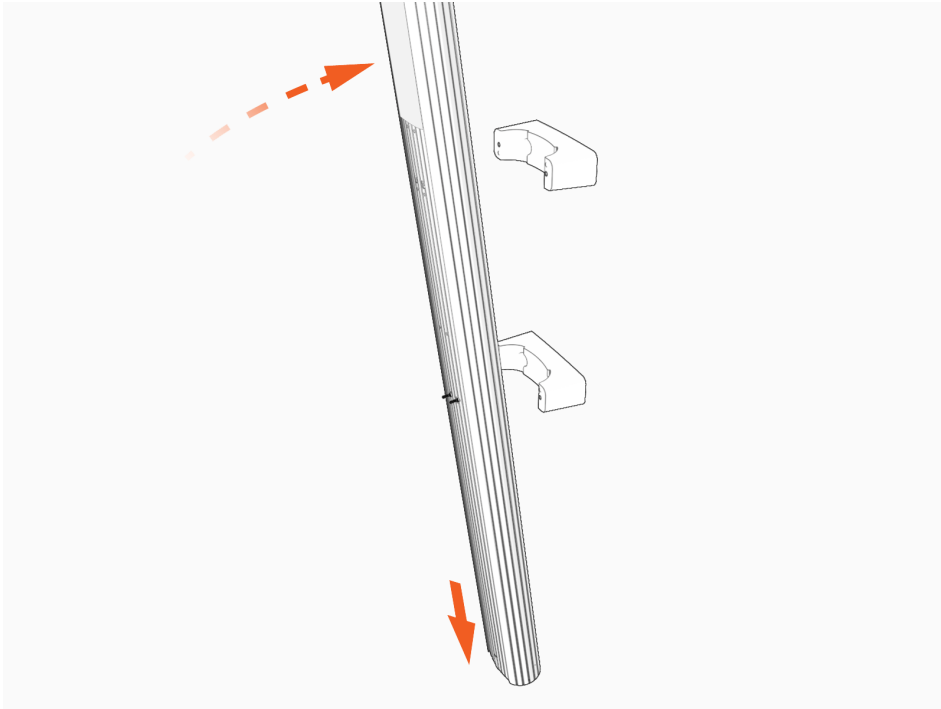
4. Remove the spacer.



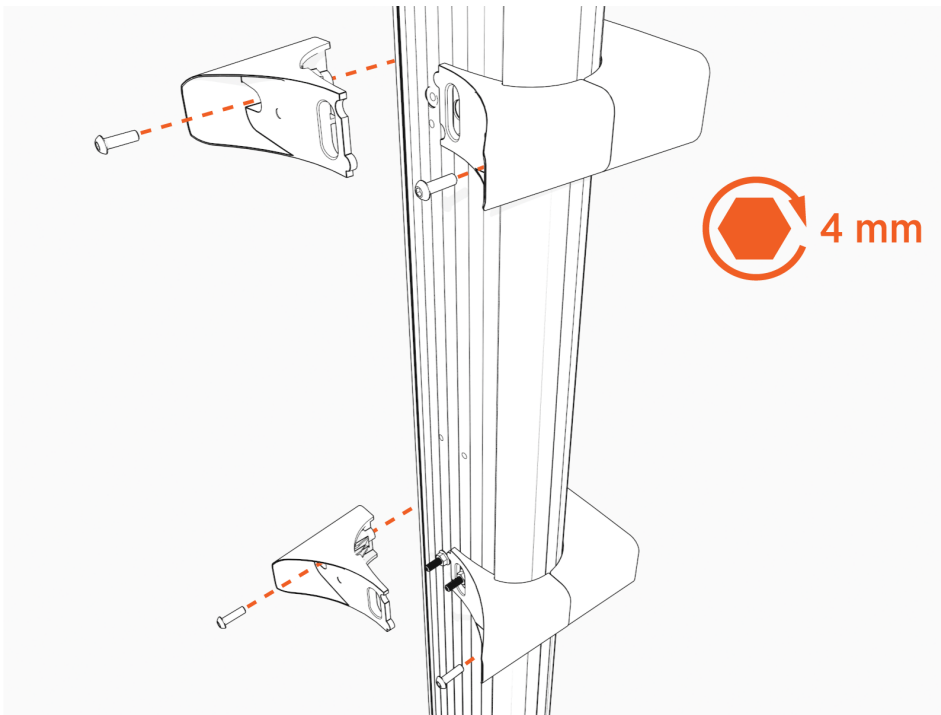
5. Stand the CMK upright slowly. The counterweights will drop.



-
6. Tilt the CMK up against the rear brackets, rest the bottom on the ground and steady with one hand while using the other to position the top front bracket.

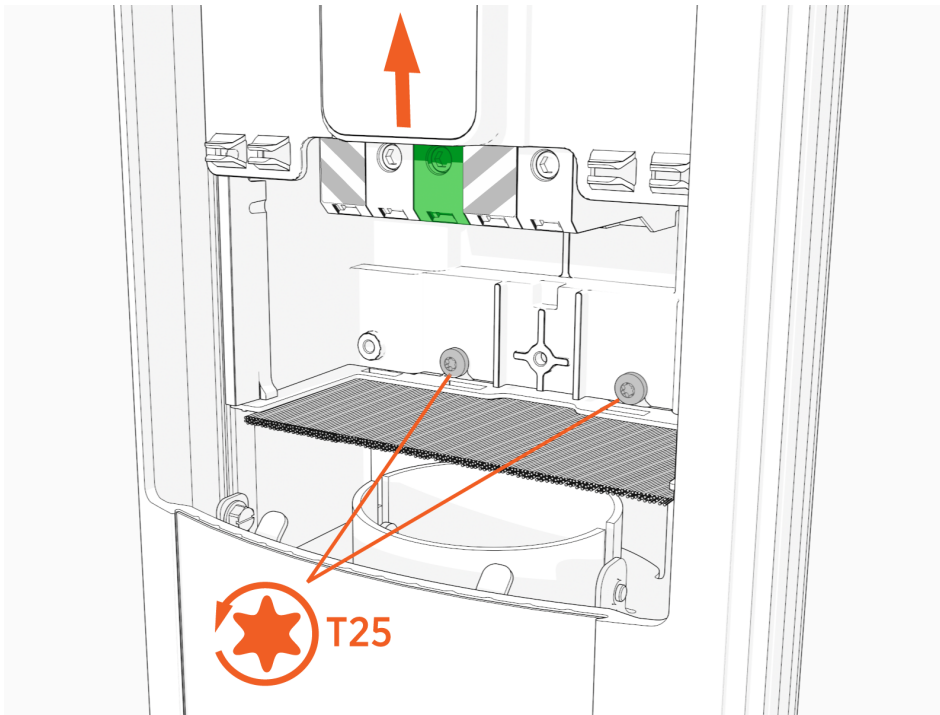


7. Align both sets of brackets. Insert the M6 x 20 mm screws and torque to 7 Nm (5 ft-lb).

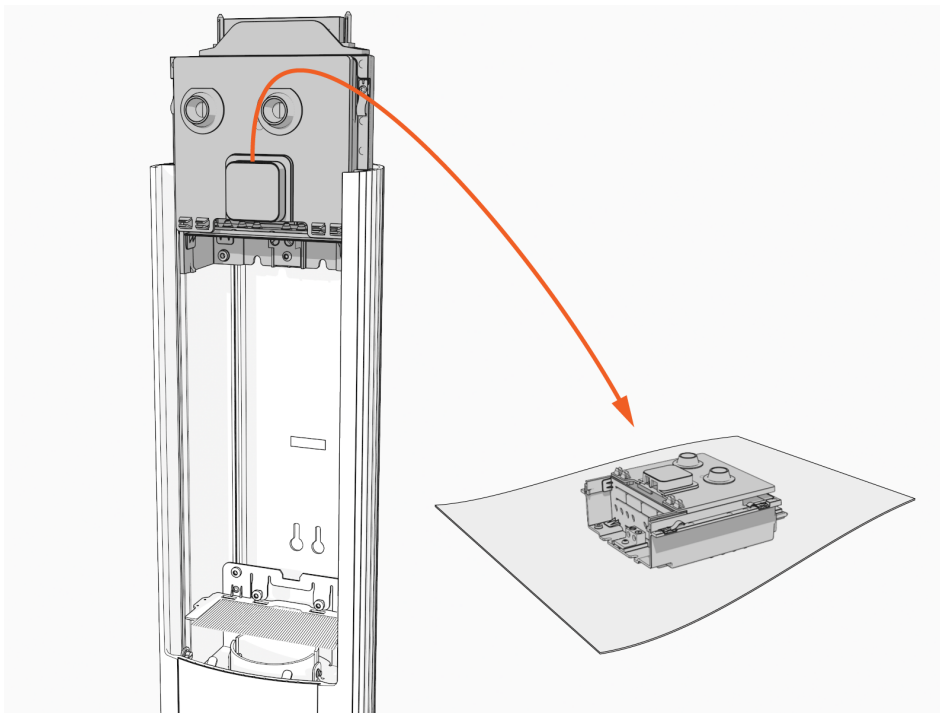


Prepare the Housing

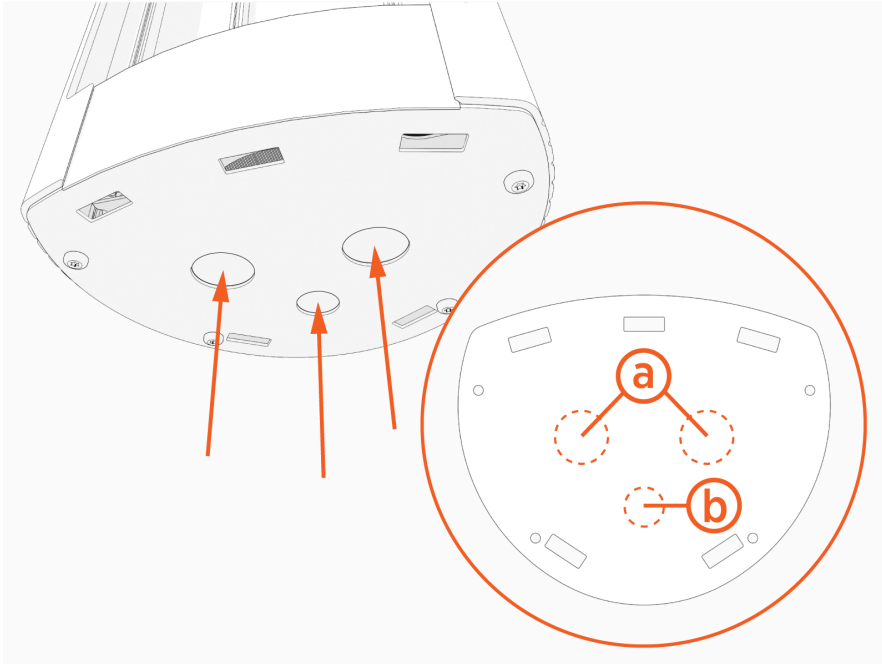
1. Lift the power plate cover. Loosen, but do not remove, two screws.



2. Move the power plate and set it gently on a padded surface.



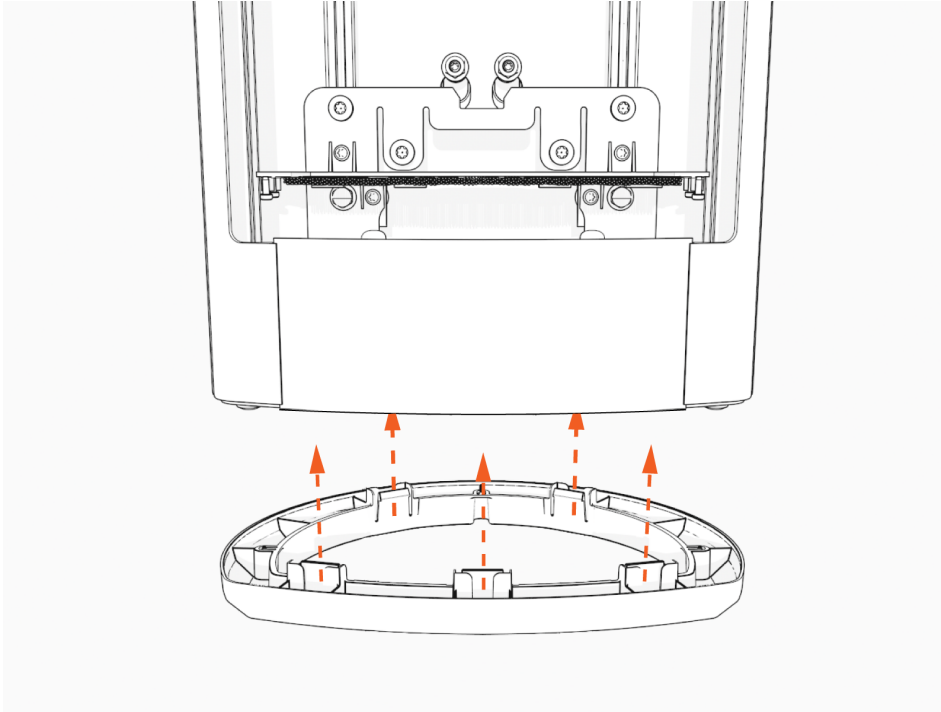
-
3. Drill or use the knockouts in the housing to create holes for the conduit. If drilling holes, drill near the center of the lower housing plate.
 - a. 33 mm (1.3 in) knockout
 - b. 24 mm (0.95 in) knockout (optional Ethernet wiring)



Maximum sizes for larger conduit:

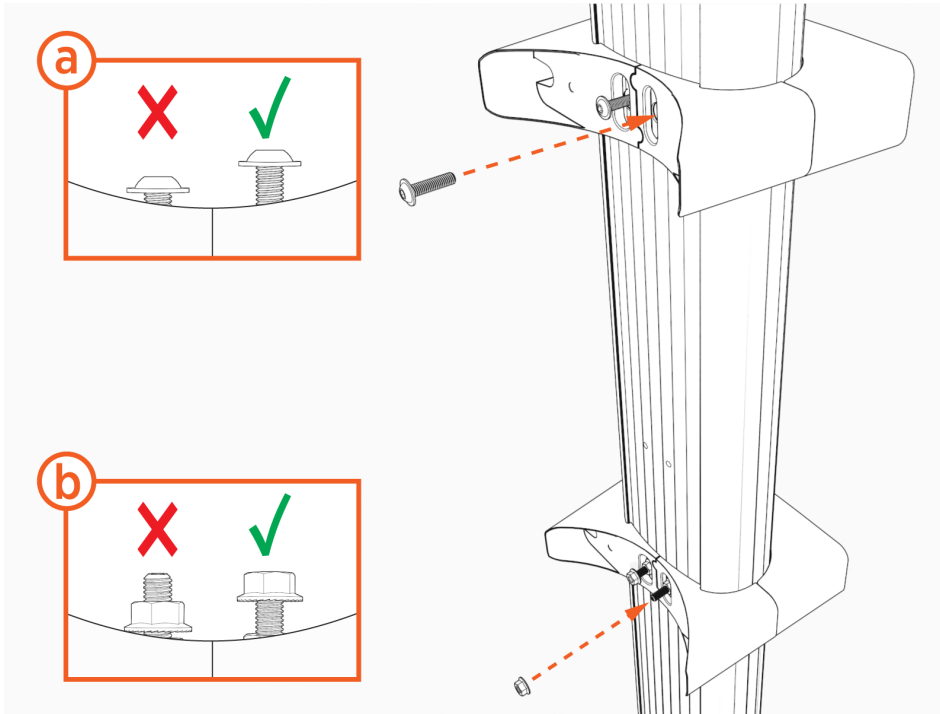
- Two 40 mm (1.5 in) conduits (power in), 0.75 inch conduit (optional Ethernet)
- One 68 mm (2.5 in) conduit (power in), 0.75 inch conduit (optional Ethernet)

4. Snap lower bracket onto station.

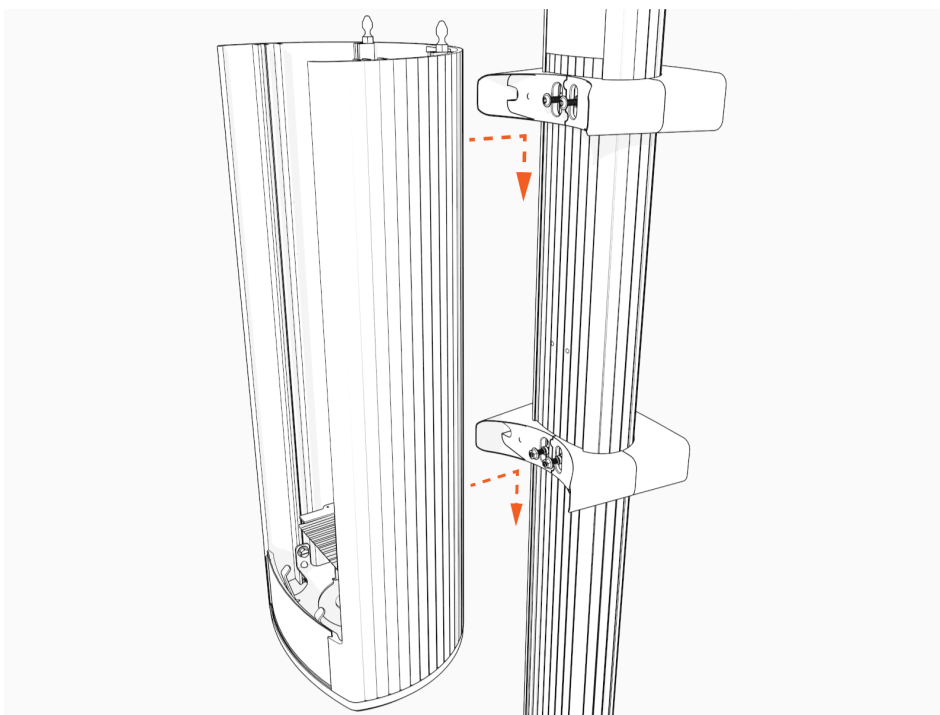


Install the Housing

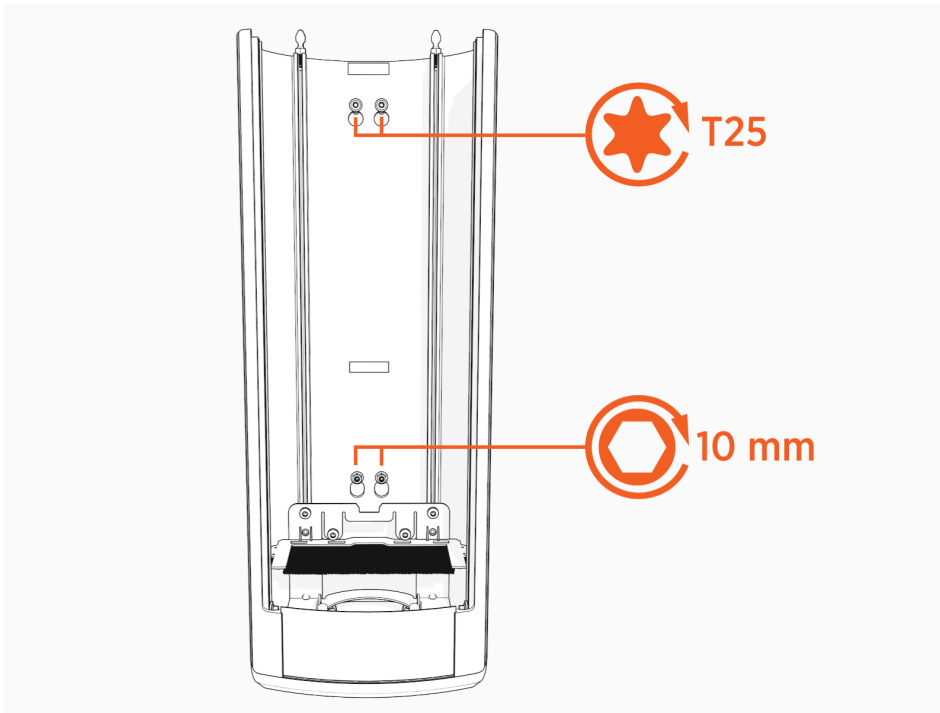
1. Insert two flange bolts (a) half way through the upper bracket.
2. Insert two threaded posts and nuts (b) on the bottom bracket.



3. Align the mounting screws (top) and nuts (bottom) and hang the housing.



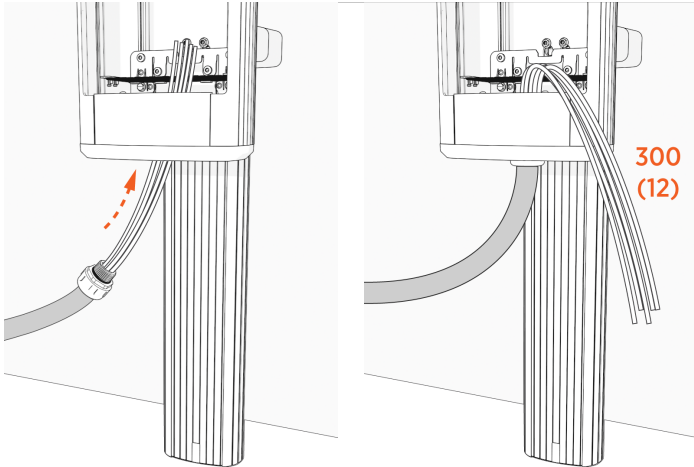
4. Use L-wrench or mini-ratchet wrench to torque two flange screws (upper) and two preinstalled nuts (lower) to 5.7 Nm (50 in-lb).



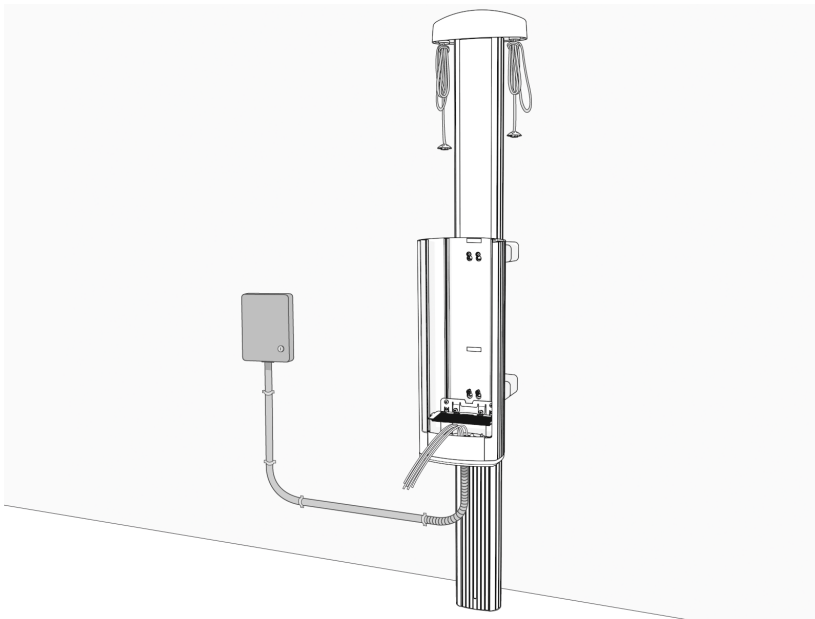
Install the Conduit

1. Feed conduit through lower station bracket and into station.

The length of wire available from the end of the conduit or the wall mount base must be at least 300 mm (12 in).



2. Select the appropriate gland or hardware and sealant, if applicable, to attach the conduit to the station.



IMPORTANT: Install and seal the conduit following local codes.

After installing the wall mount, go to [Connect Wiring - North America](#).

Connect Wiring - North America 4

CAUTION: Use copper conductors only.

Do not provide GFCI protection at the panel. The CP6000 has built-in GFCI protection.

In areas with frequent thunderstorms, add surge protection at the service panel for all circuits. Use new circuit breakers only.



Ensure all power and ground connections (especially those at the breaker) are clean and tight. Remove all oxide from all conductors and terminals before connecting wiring.

Although neutral is not used by CP6000 charging stations, system neutral must be bonded to ground so that all line to ground voltages are defined.

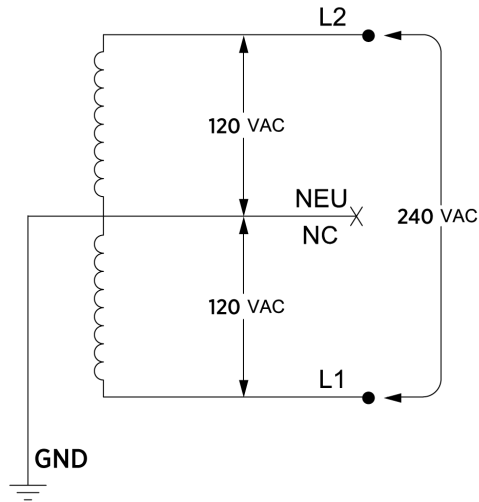
Grounding Requirements

CP6000 charging stations must be connected to a grounded, metal, permanent wiring system. An equipment-grounding conductor must be run with circuit conductors and connected to an equipment-grounding terminal on the charging station.

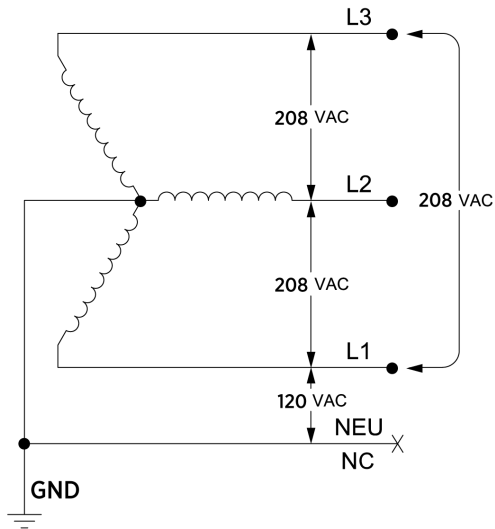
A grounding conductor that complies with applicable codes must be grounded to earth at the service equipment or, when supplied by a separate system, at the supply transformer, or may be grounded to an earth electrode. Ensure the grounding conductor complies with all applicable codes.

Connect To These Systems

- 120/240 VAC, 1Ø Bonded Neutral
Station is connected to L1 and L2
Neutral is not used

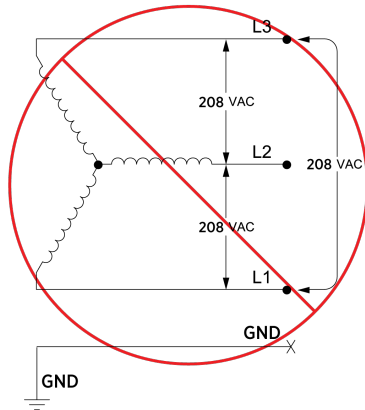


- 120/208 VAC, 3Ø Wye Bonded Neutral
Station may be connected to any two lines
Neutral is not used

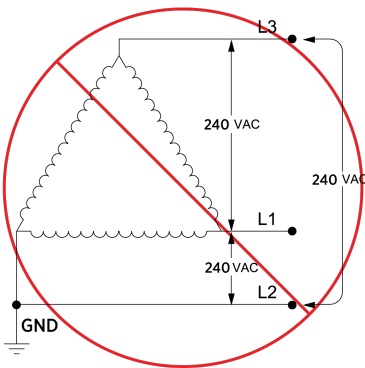


Do Not Connect to These Systems

- 208 VAC 3Ø Wye, ungrounded
Floating Neutral
Voltage of either line to ground is undetermined
Neutral is not grounded



- 120/240 VAC 3Ø Delta, corner-grounded
Voltage of any line is not 120 V nominal relative to ground
- Any system where the center point of the AC power source is not grounded.



Install Circuit Sharing Jumpers

Circuit sharing jumpers may be required for certain station installations. These include:

- Single port stations
- Single circuit installations to supply power to dual port stations

Jumpers are included with charging stations.



IMPORTANT: Circuit sharing jumpers cannot be installed with the Power Plate in the housing.

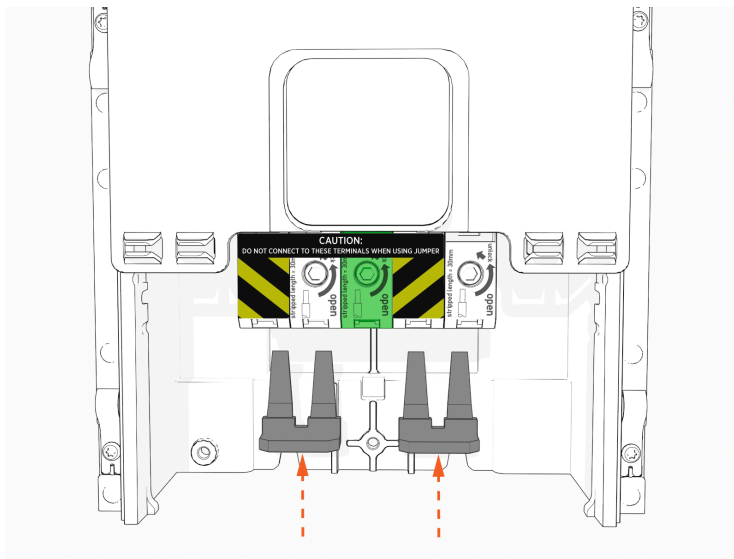
If the station is not being configured for circuit sharing, go to [Install the Power Plate](#).



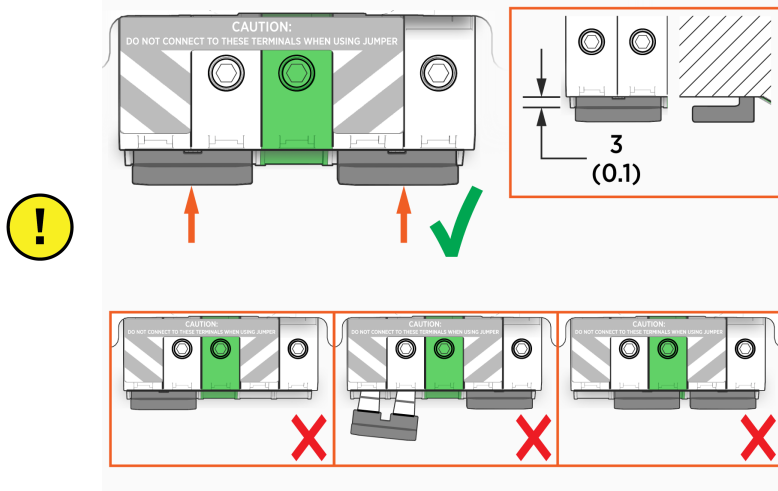
WARNING: Install jumpers only when one circuit feeds one or both ports. Installing jumpers while feeding a circuit to each port will result in shorting occurring across the lines.

1. Install the jumpers. You must install both of the jumpers.

Do not terminate wires on either of the two specific terminals that are being fed by a jumper.

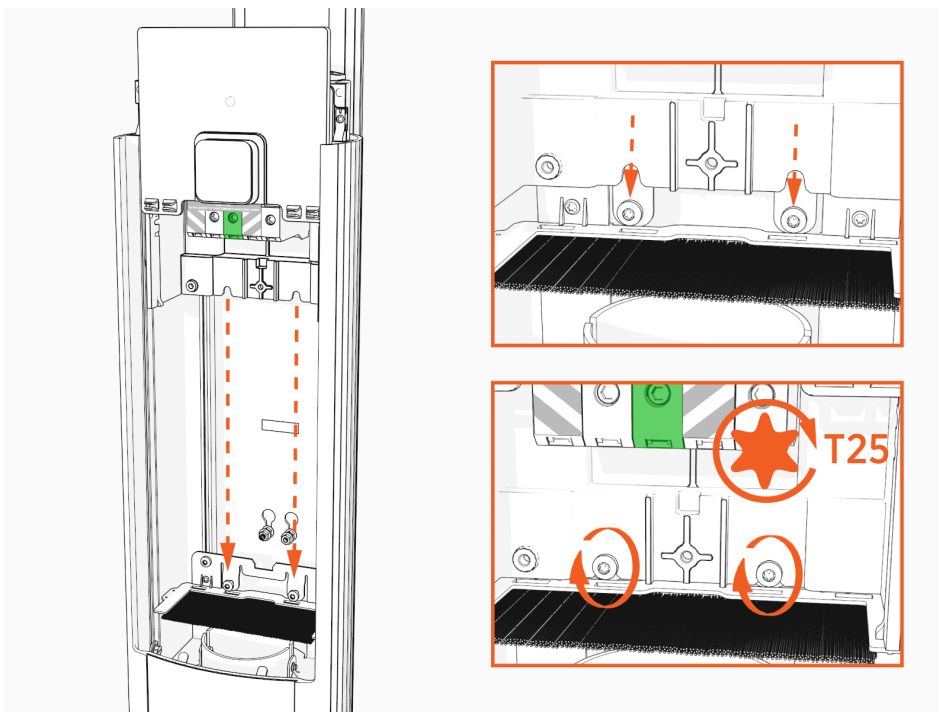


IMPORTANT: Ensure circuit sharing jumpers are fully seated.



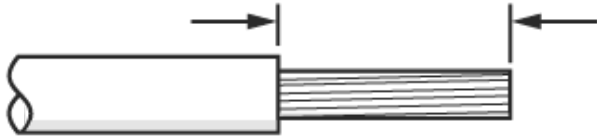
Install the Power Plate

1. Align the power plate with the housing and slide it down until it touches the metal bracket.
2. Ensure the power plate is seated correctly.
3. Slide the power plate block cover up.
4. Using a T25 driver, torque the screws to 5.7 Nm (50 in-lb) to secure the power plate.



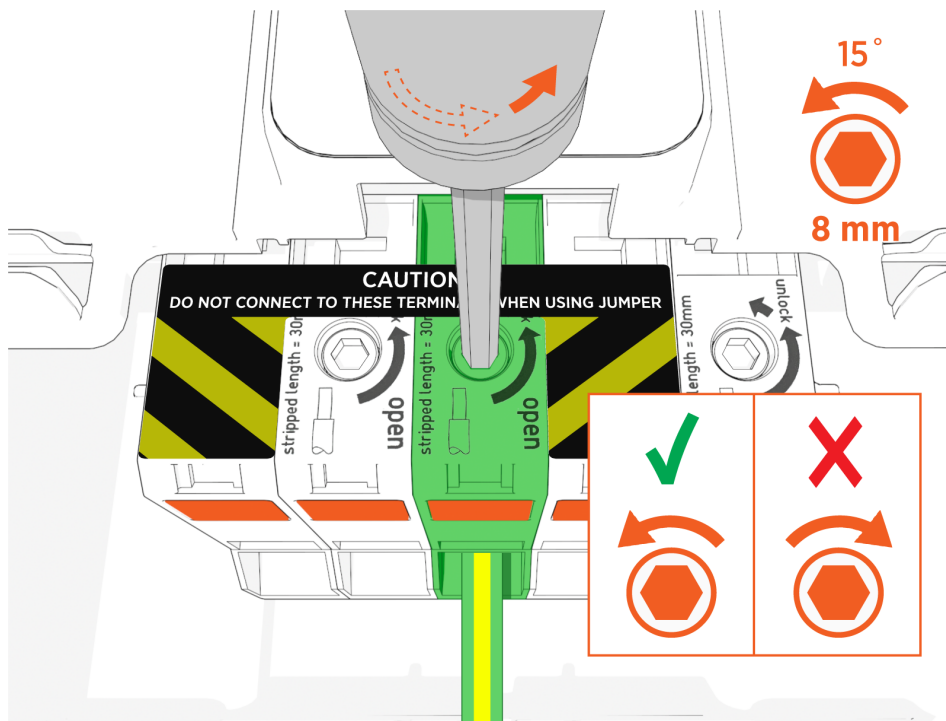
Connect the Wiring

- 1. Strip the wires 30 mm (1 3/16 in).



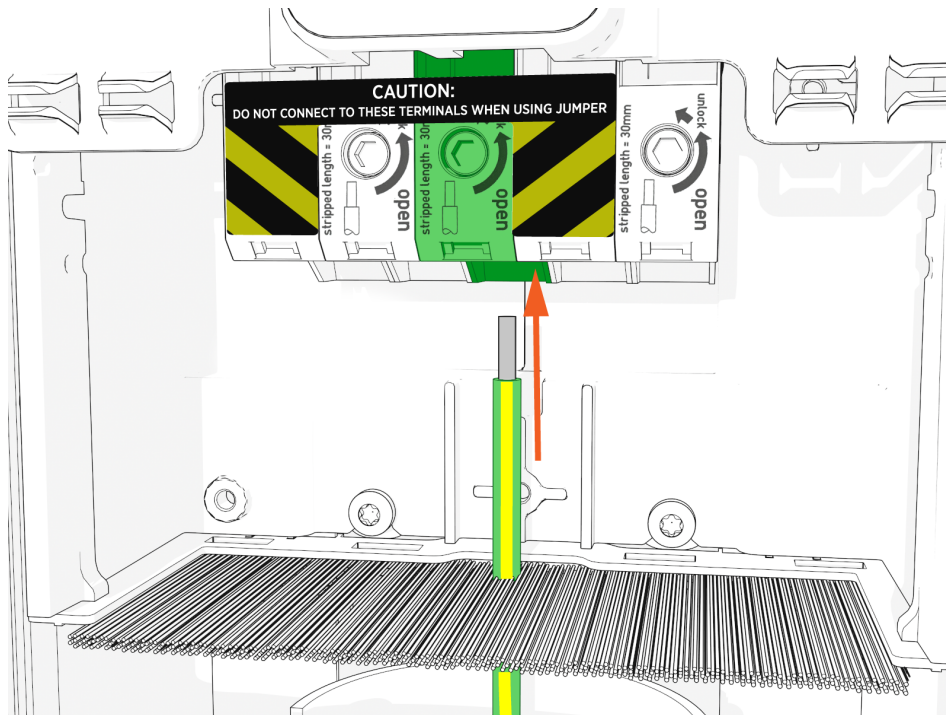
IMPORTANT: Cut wires straight across at 90° and not at an angle.





3. Insert the ground wire into the center terminal.

Note: Make sure the wire is fully seated and no bare wire is visible outside the terminal block.

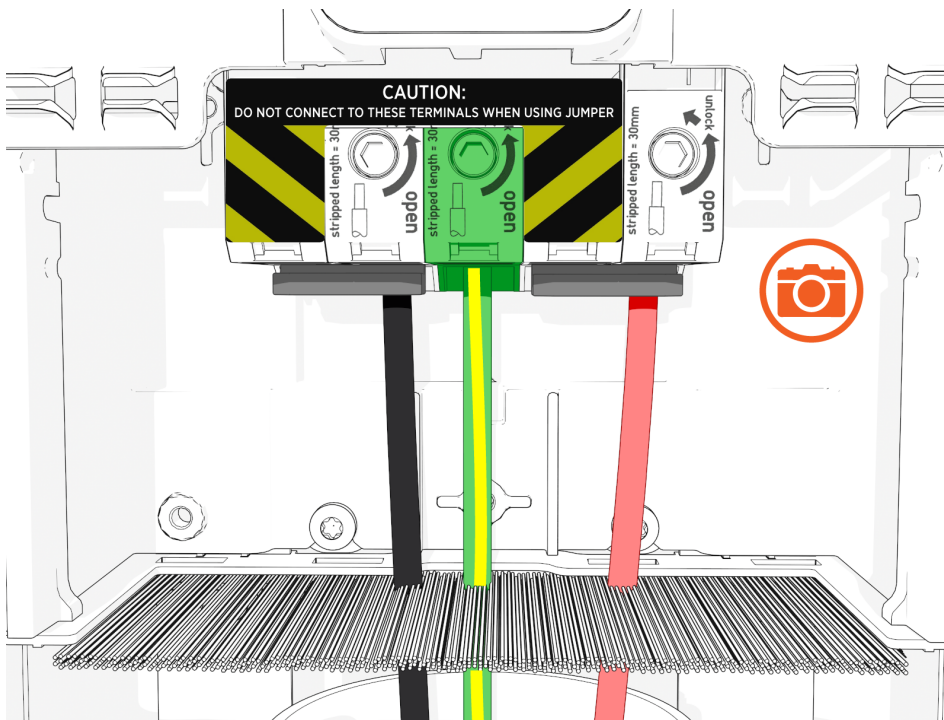


4. While holding the wire in place, release the hex driver to secure the wire in the terminal block.
5. Repeat previous steps for each wire.

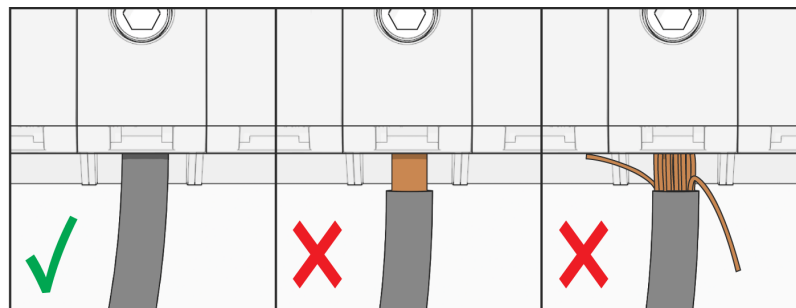
6. Take a picture of the completed terminal block wiring with labels to submit during pinpointing.



IMPORTANT: Ensure that you take a photo of the wires in the terminal block before continuing the installation process.



IMPORTANT: You should not see any copper wire outside the terminal block.



Wiring Diagrams

These diagrams show wiring for installing single and dual port CP6000 stations on:

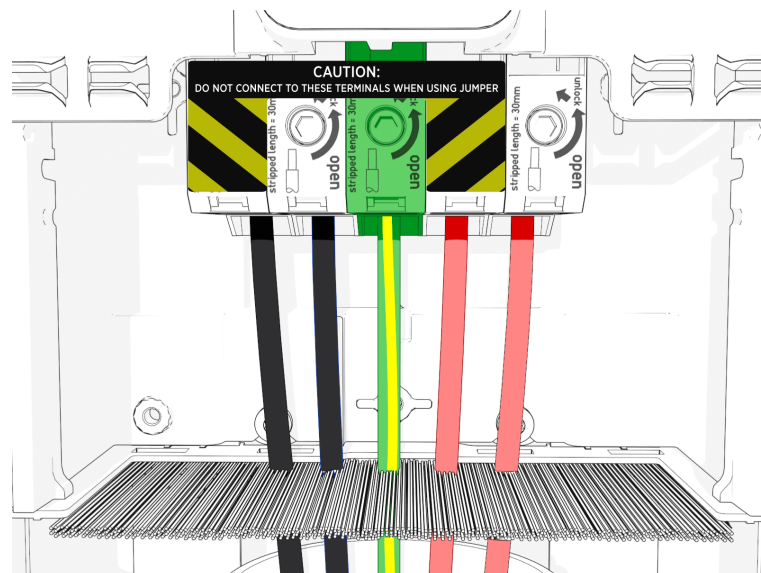
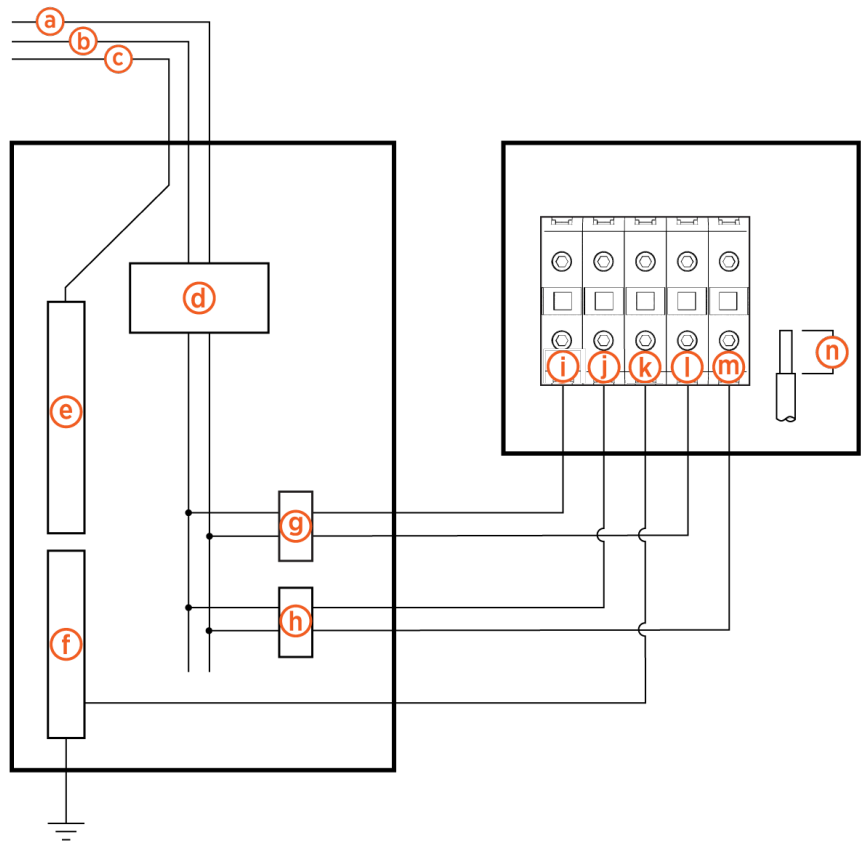
- A dual circuit, dual port
- A single circuit, dual port
- A single circuit, single port

The number of dedicated circuits required depends on the type of installation and the power available at the site.

Refer to the CP6000 Datasheet on [chargepoint.com/guides](https://www.chargepoint.com/guides) for electrical input and output specifications.

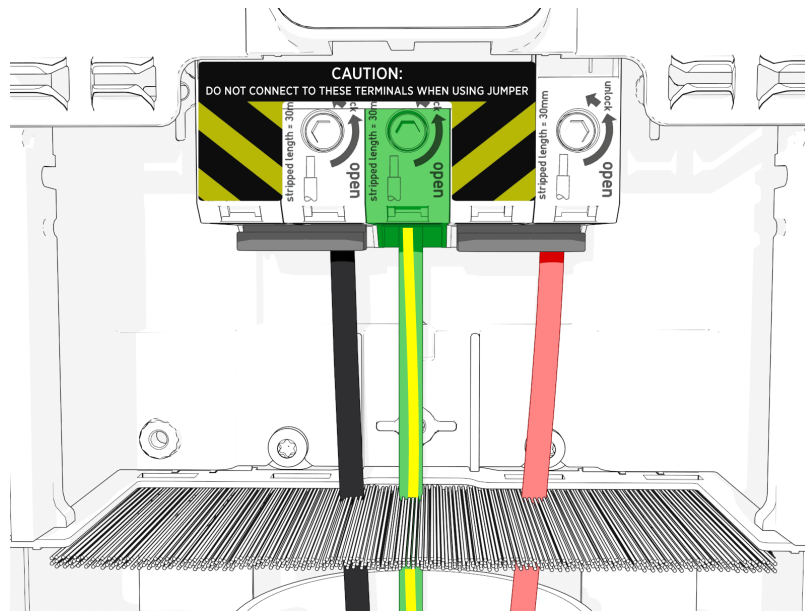
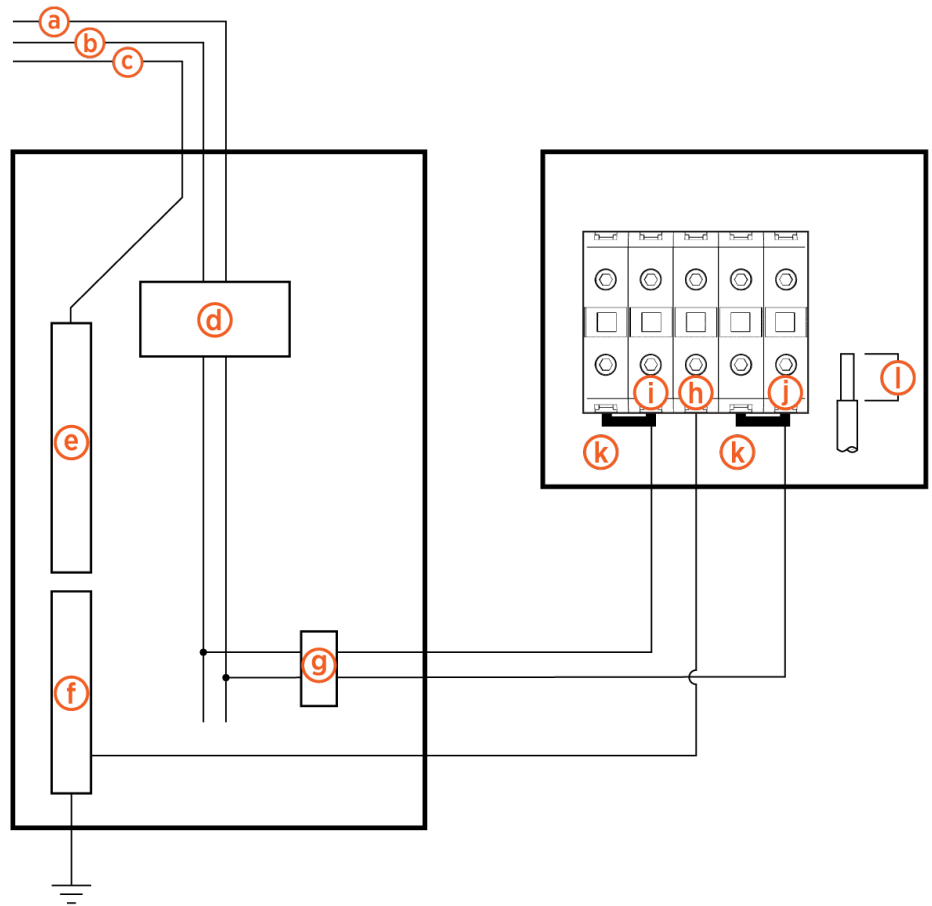
208 VAC Single Phase Dual Circuit, Dual Port

- a. L2
- b. L1
- c. Neutral
- d. Main breaker
- e. Neutral bus
- f. Ground bus
- g. Left breaker
- h. Right breaker
- i. L1 left
- j. L1 right
- k. Ground
- l. L2 left
- m. L2 right
- n. Wire strip length
30 mm (1 3/16 in)



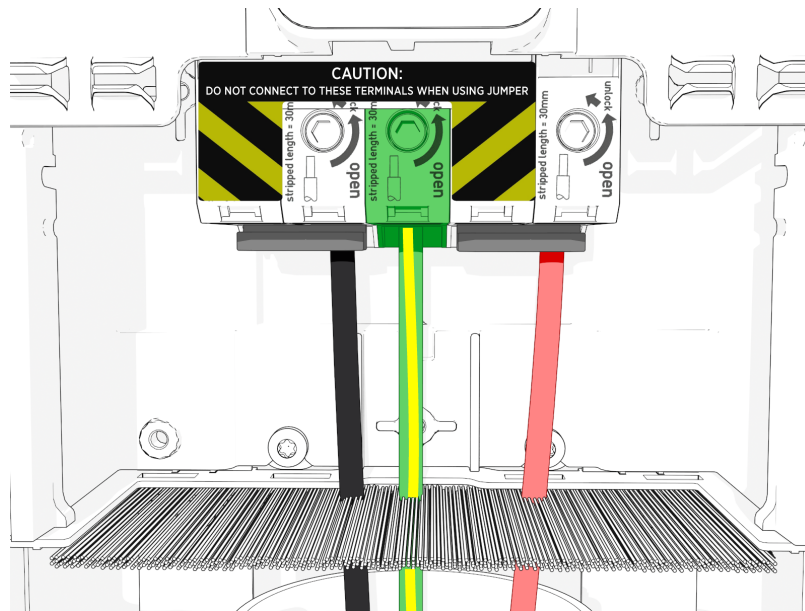
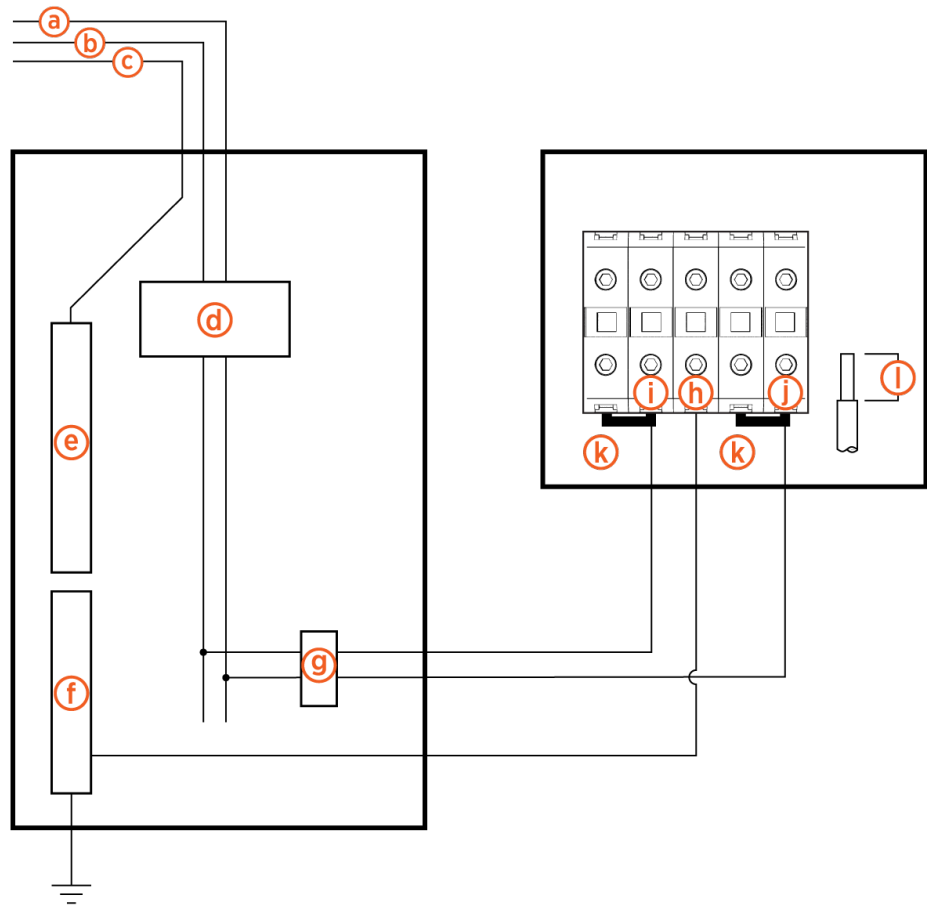
208 VAC Single Phase Single Circuit, Dual Port

- a. L2
- b. L1
- c. Neutral
- d. Main breaker
- e. Neutral bus
- f. Ground bus
- g. Breaker
- h. Ground
- i. L1
- j. L2
- k. Jumper
- l. Wire strip length 30 mm (1 3/16 in)



208 VAC Single Phase Single Circuit, Single Port

- a. L2
- b. L1
- c. Neutral
- d. Main breaker
- e. Neutral bus
- f. Ground bus
- g. Breaker
- h. Ground
- i. L1
- j. L2
- k. Jumper
- l. Wire strip length 30 mm (1 3/16 in)



Check Voltages



IMPORTANT: Ensure that Neutral connects to ground in the system per applicable codes.

The following table lists the expected input voltage measurements.

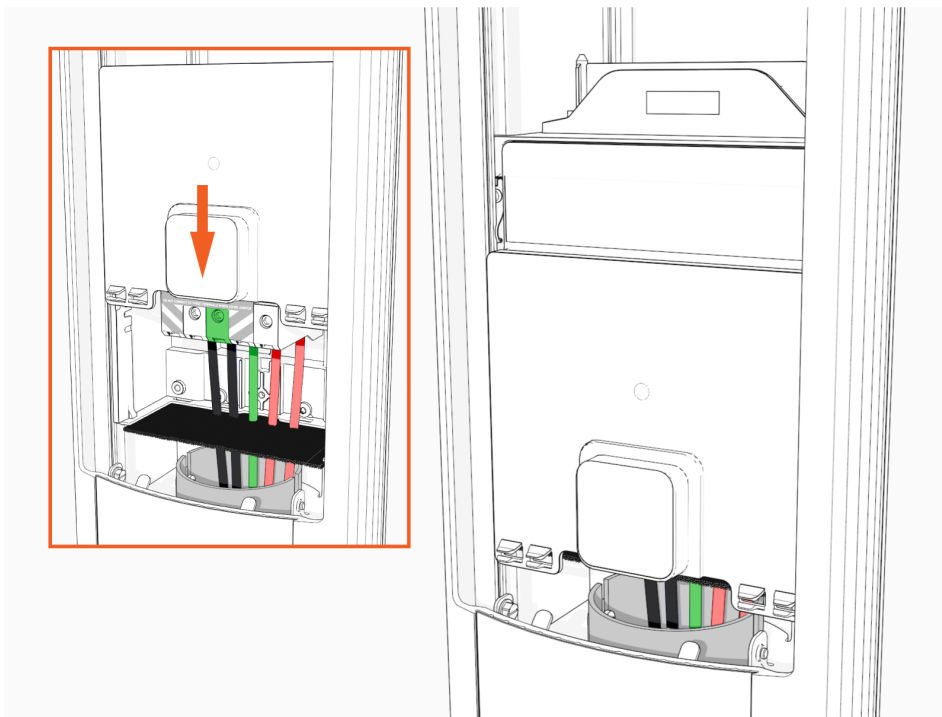
Measure Between	VAC (Plus or Minus 10%)
L1R - L2R	208/240
L1L - L2L	208/240
L1R - GND	120
L2R - GND	120
L1L - GND	120
L2L - GND	120

1. Turn power ON at the circuit breaker panel.
2. Using a solenoid type voltmeter, check that the voltages at the charging station's terminal block are as listed in the table above.
 - Insert the meter probes into the holes at the top of each terminal block and check the input voltage.
 - If the voltages are not within 10% of the voltages in the table above, ensure the wiring has been properly connected. Refer to the detailed wiring diagrams in this chapter.
 - For grounding requirements, see the CP6000 Datasheet on chargepoint.com/guides.
3. Resolve any wiring issues and ensure voltages are correct.
4. Turn power OFF at the circuit breaker panel.

Assemble the Station 5

Connect the Head Assembly

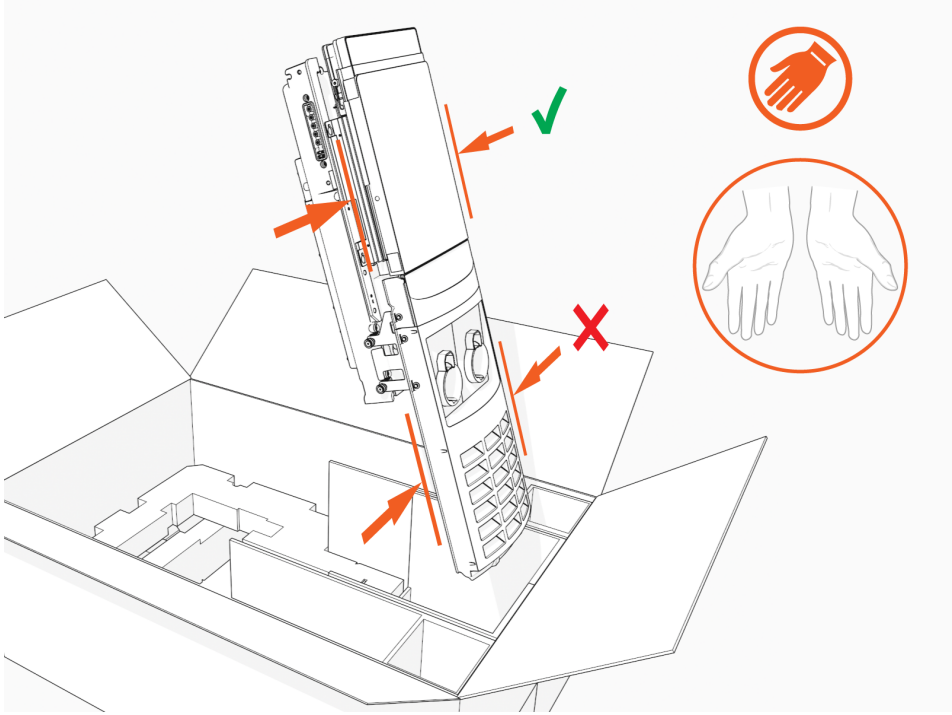
1. Lower the power plate cover.



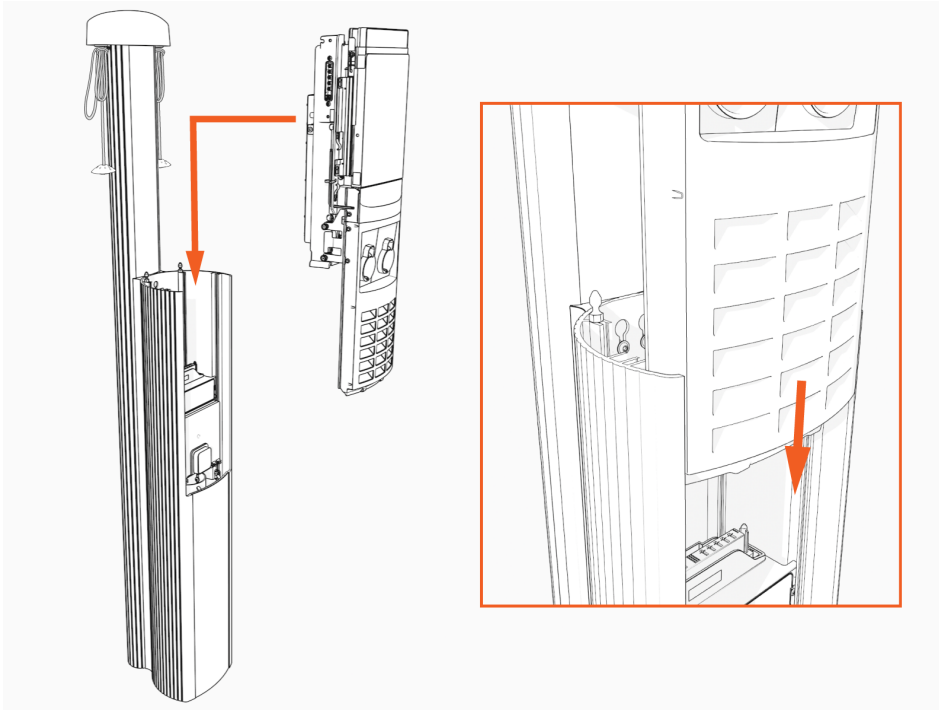
2. Open the head assembly package.
3. Remove the head assembly from the packaging.



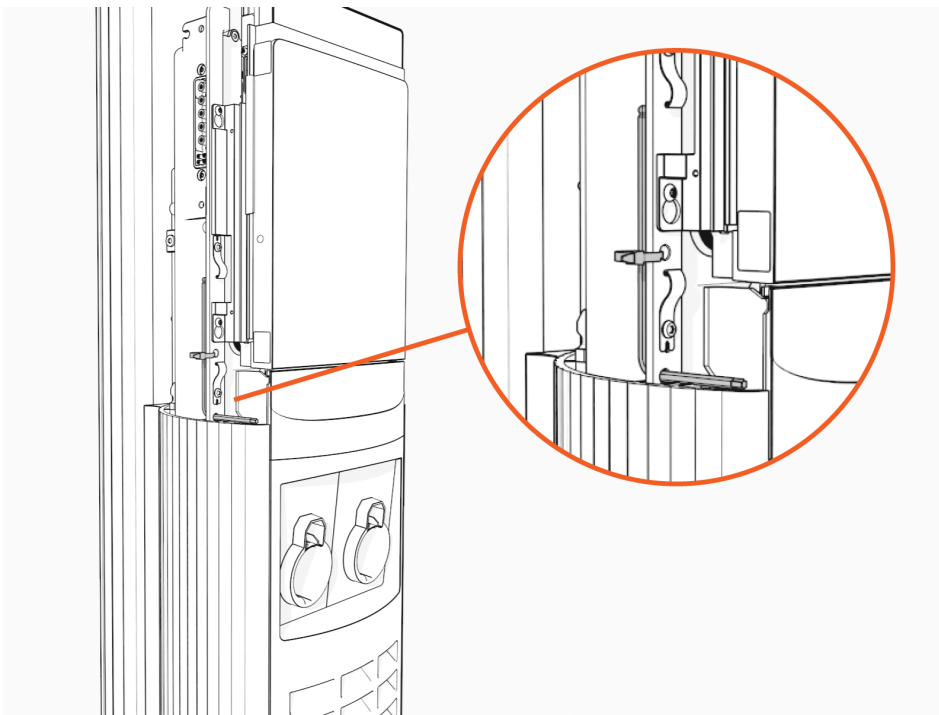
IMPORTANT: Hold the metal castings on the sides of the head assembly, not the plastic front cover, to avoid damaging the front cover.



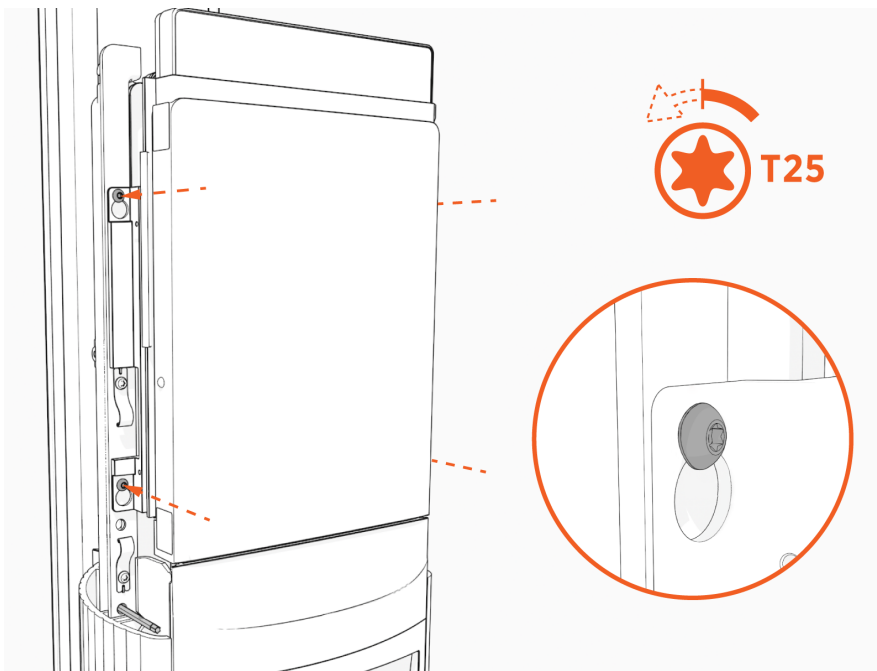
4. Align the rails on the head assembly with the pedestal and slide it into the pedestal housing.



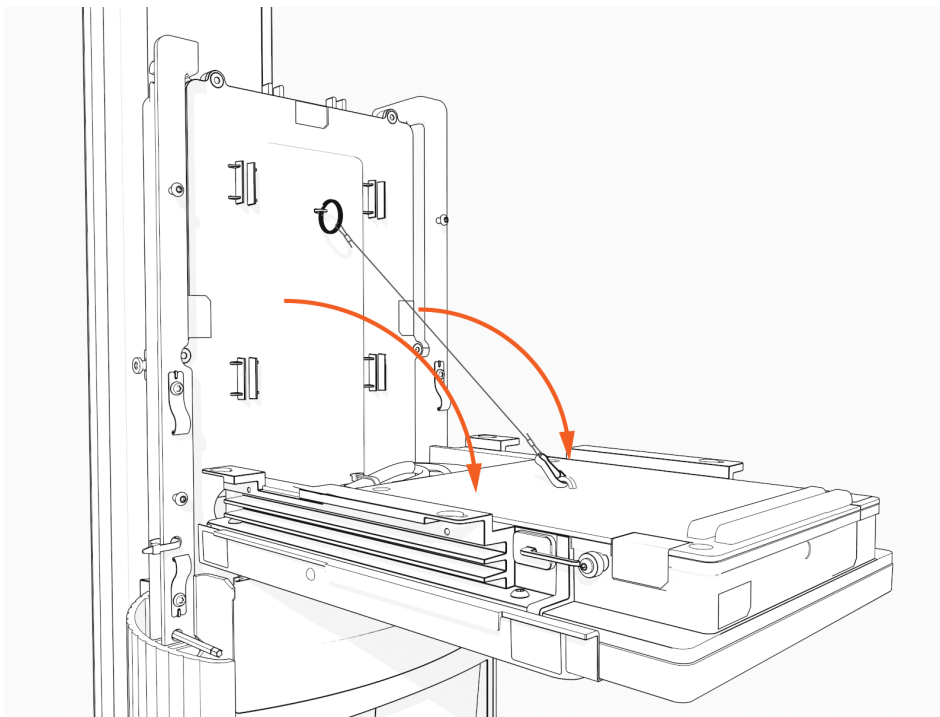
The head assembly rests on the L-wrench connected to the side of the assembly.



5. Loosen, but do not remove, the screws that secure the Control and Communications Unit (CCOM) to the head assembly.

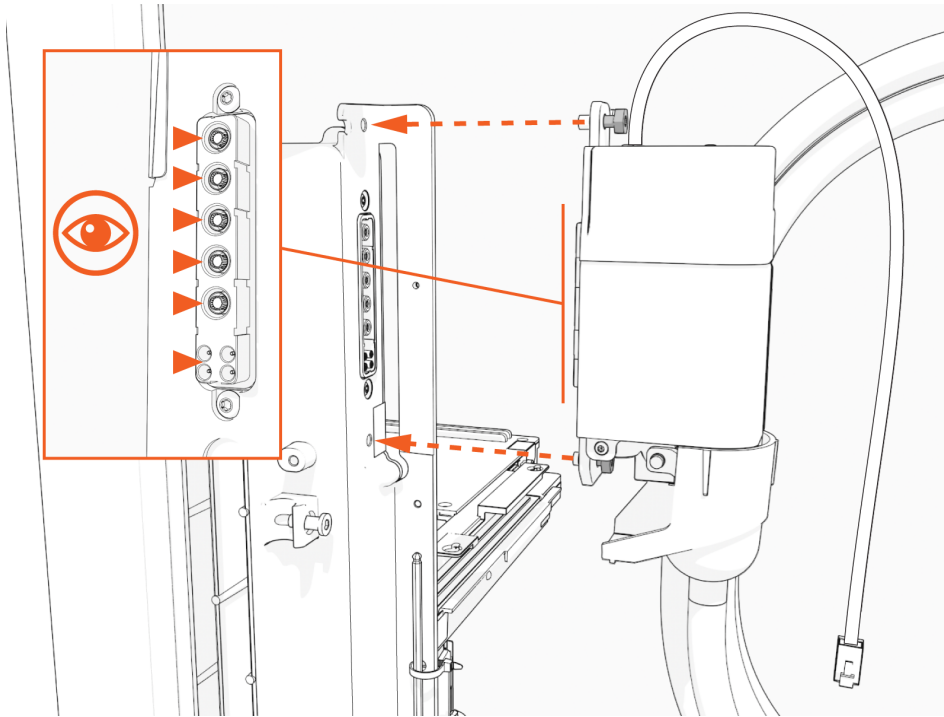


6. Lift the CCOM up and tilt it away from the head assembly.
The bottom edge of the CCOM rests on the upper edge of the holster assembly.

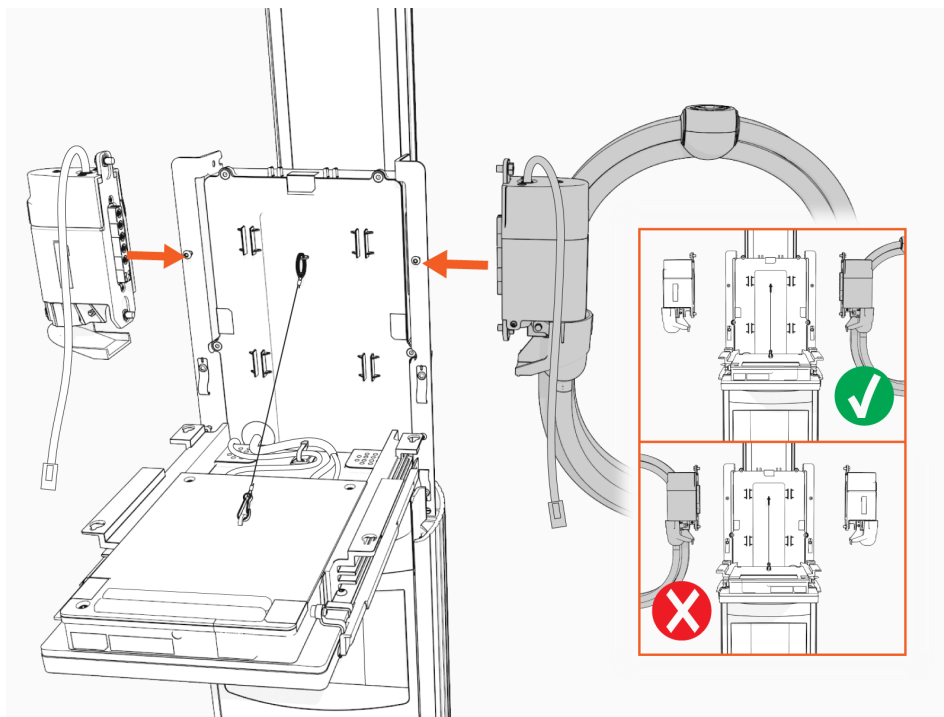


7. Ensure there is no visible damage to the connector pins.

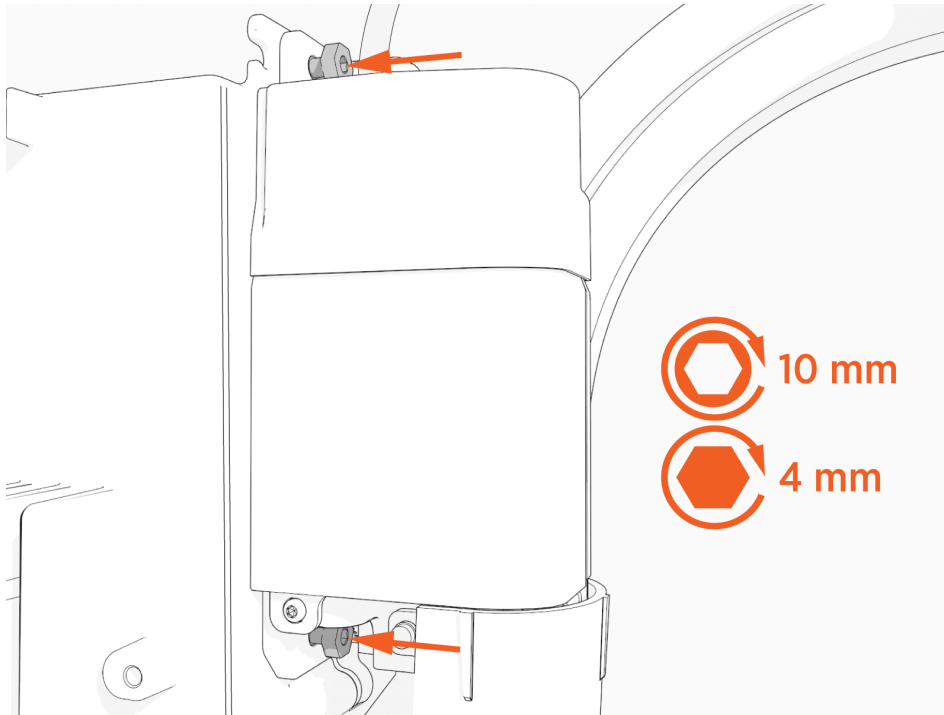
Attach the smart cable by partially engaging one screw and then partially engaging the second screw.



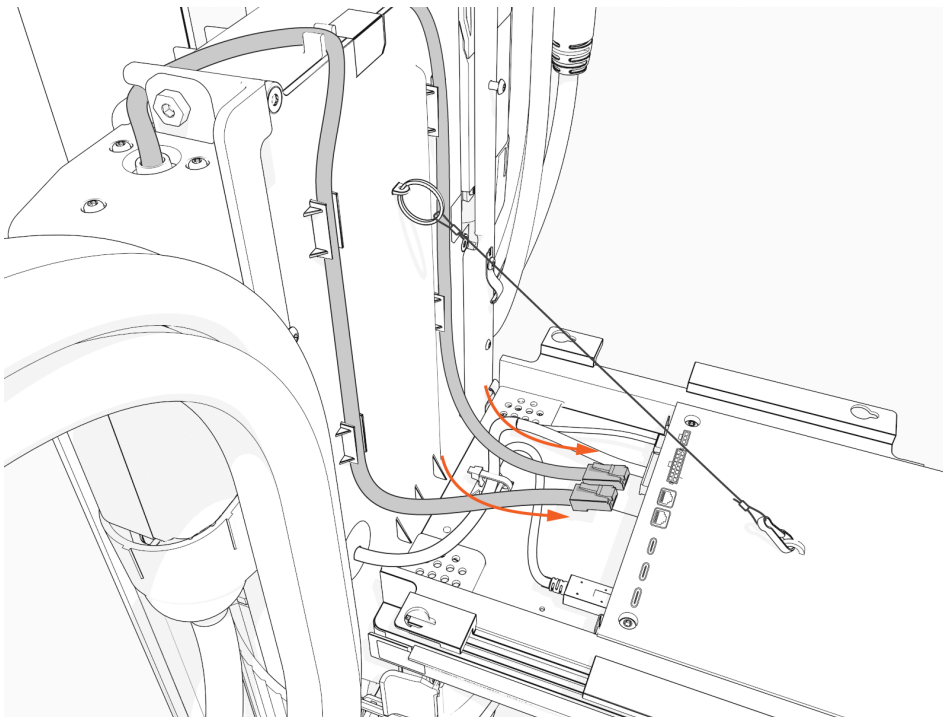
8. On single port stations, attach the smart cable to the **right** side as you are facing the charging station. Connect the blank connector to the left side.



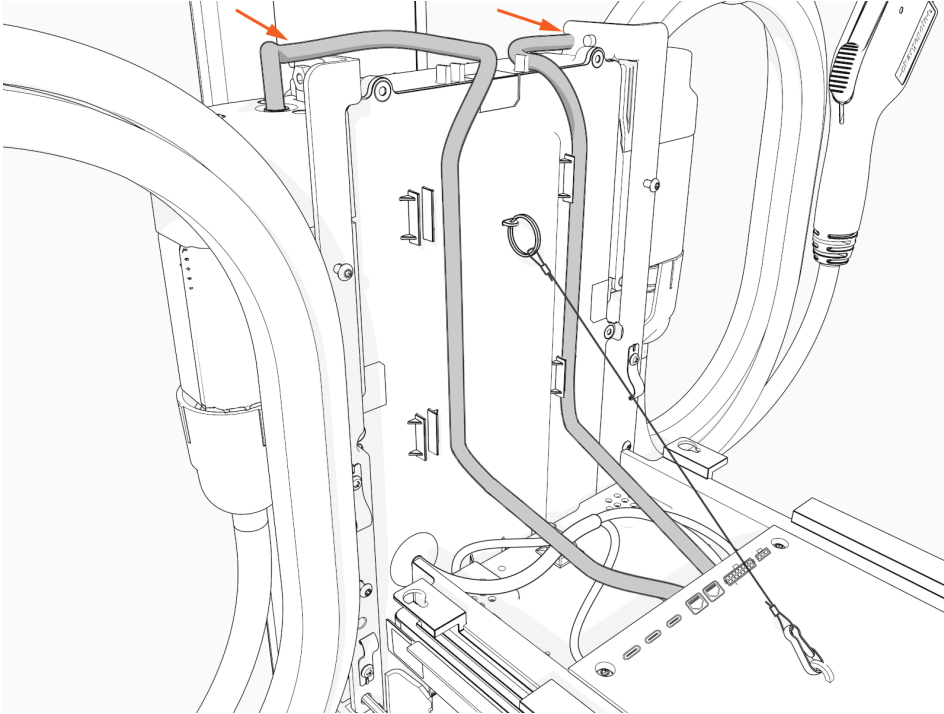
9. Torque both the top and bottom screws to 1.1 Nm (10 in-lb) to secure the smart cable.



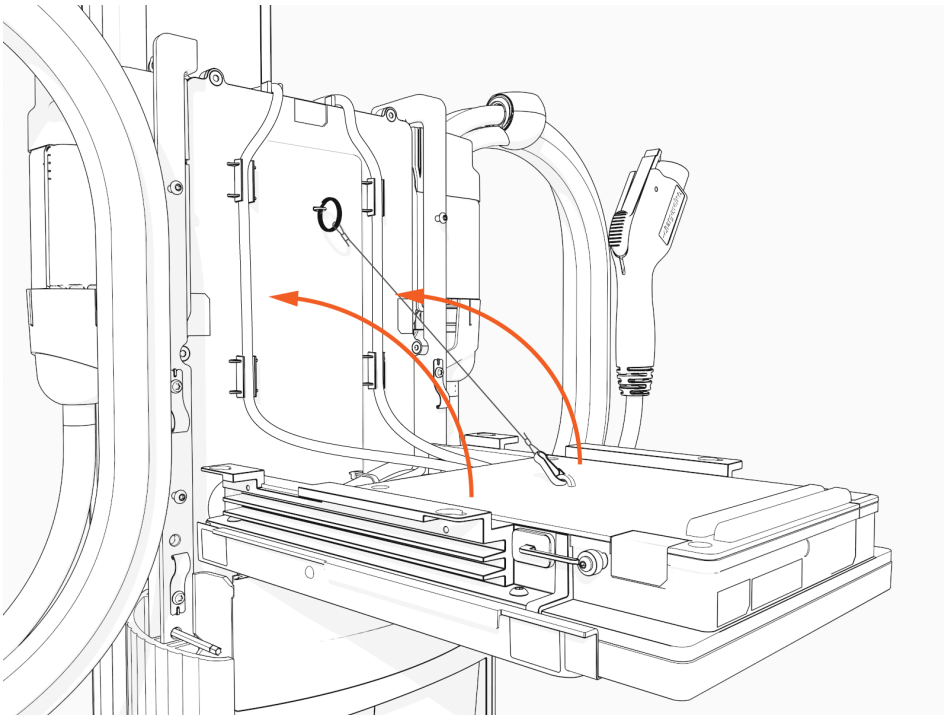
10. Connect the RJ45 Ethernet cables from the smart cable assembly to the bottom of the CCOM.



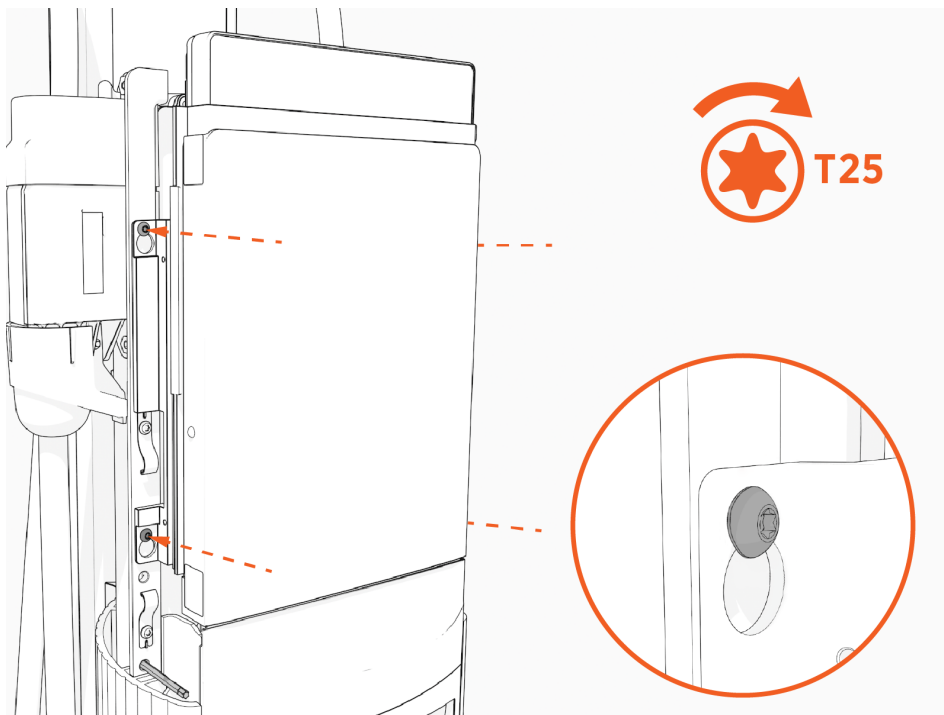
-
11. Slide the RJ45 Ethernet cables into the slots.



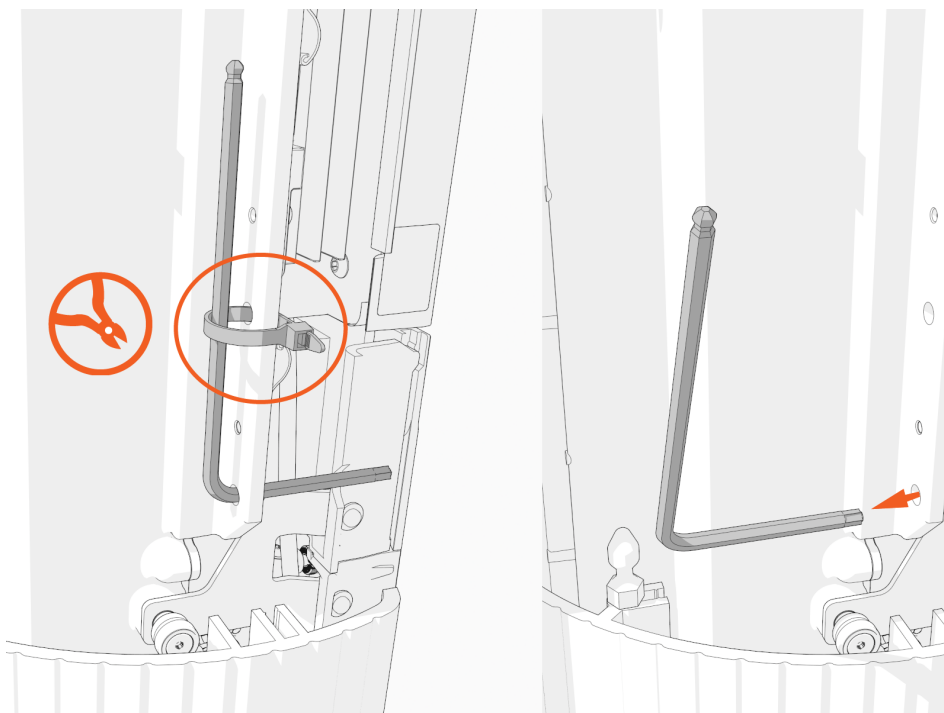
12. Raise the CCOM and slide it into place on the head assembly.



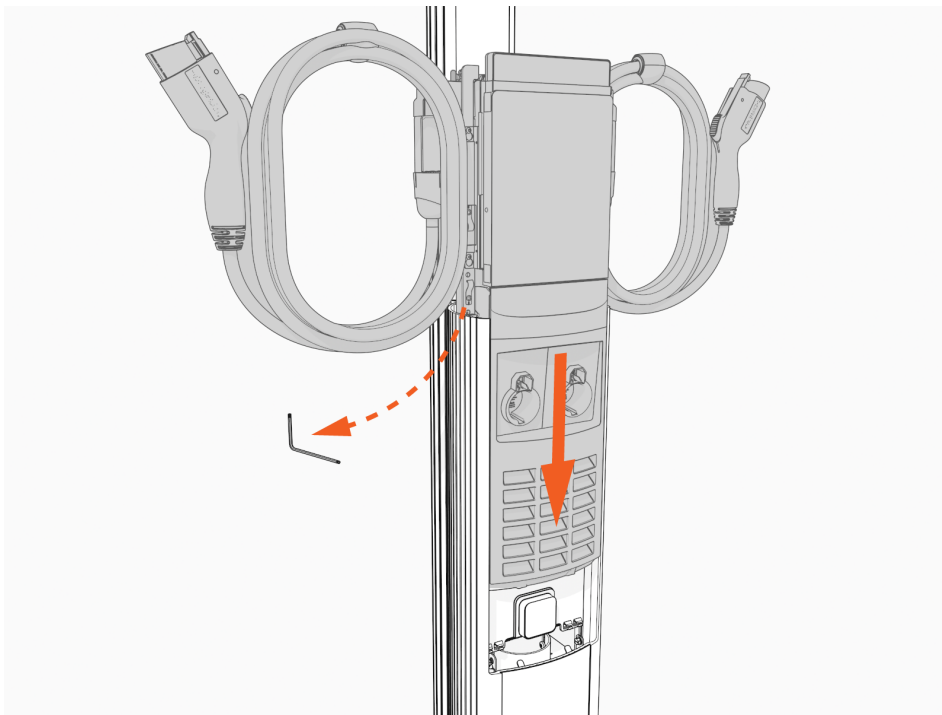
13. Torque the screws to 1.7 Nm (15 in-lb) to secure the CCOM.



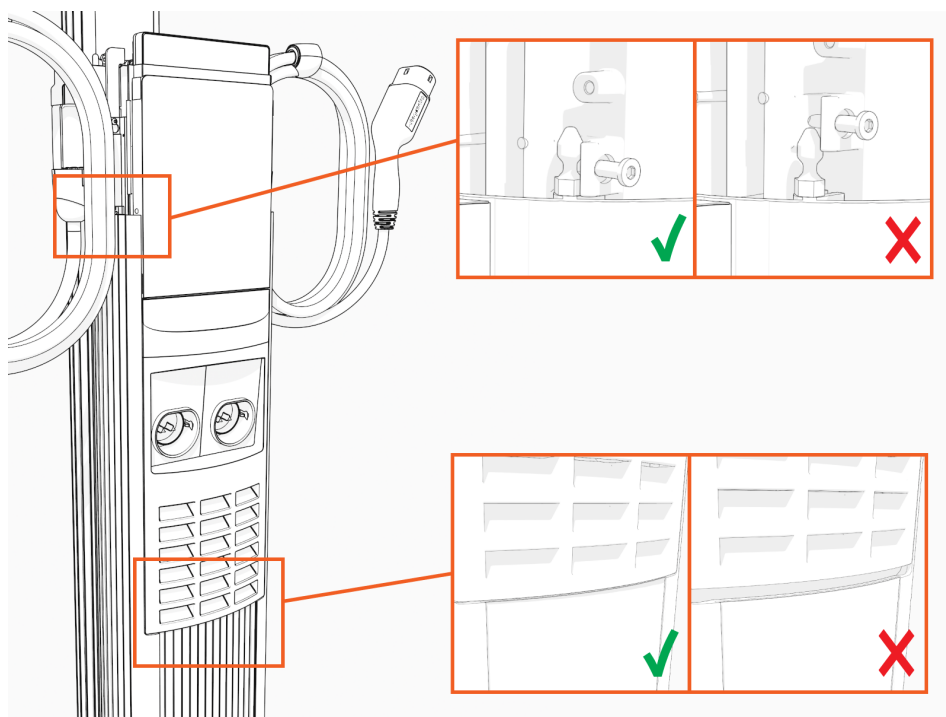
14. Remove the L-wrench.



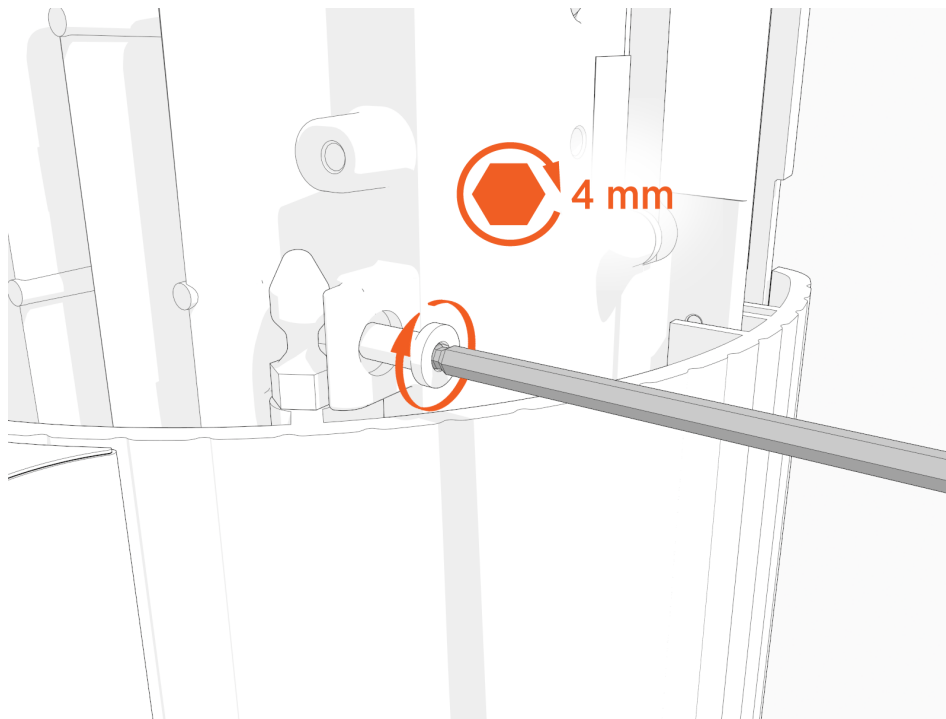
15. Slide the head assembly all the way into the pedestal housing.



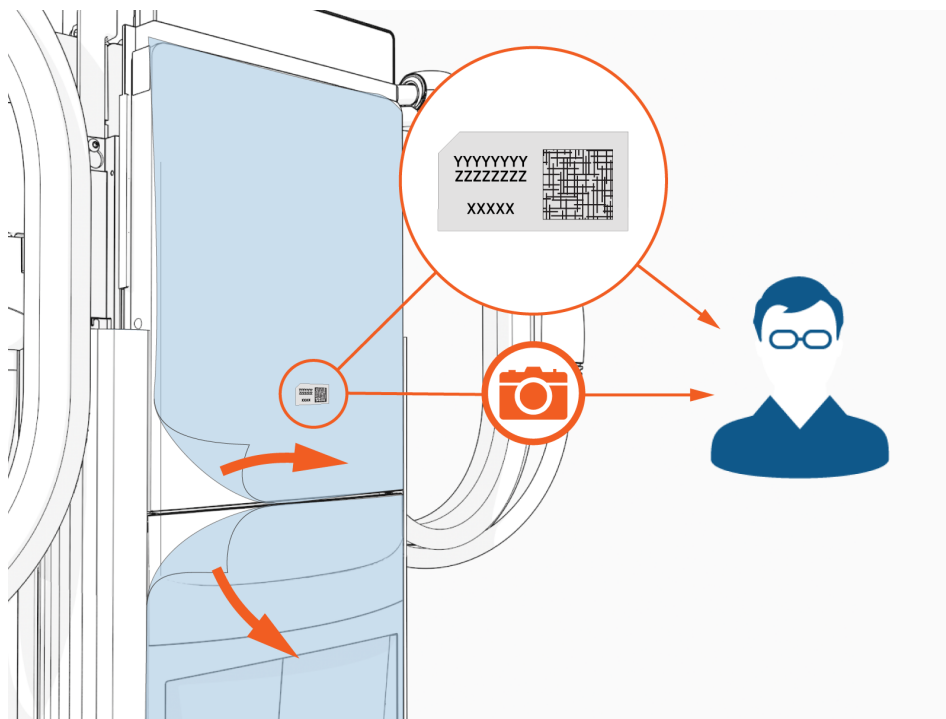
16. Ensure the head assembly is fully seated.



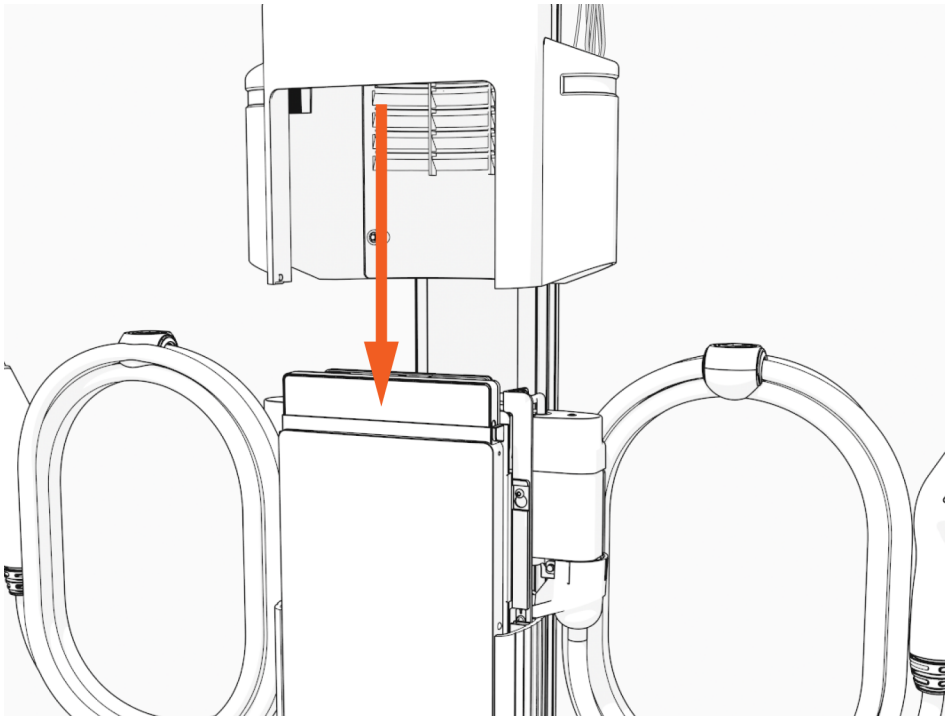
17. Using the L-wrench, tighten two screws.



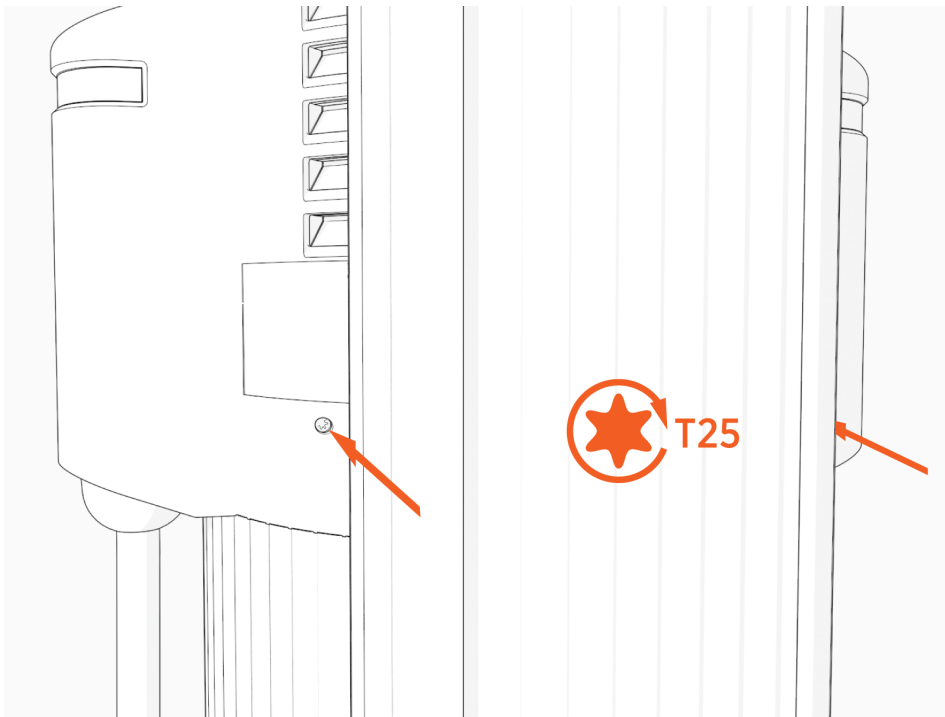
18. Take a picture of the activation label, remove the protective film, and give the protective film with the label to the station owner.



-
19. Slide the top cap onto the head assembly, adjusting as necessary to clear the SEVC cables, until it fits into place.

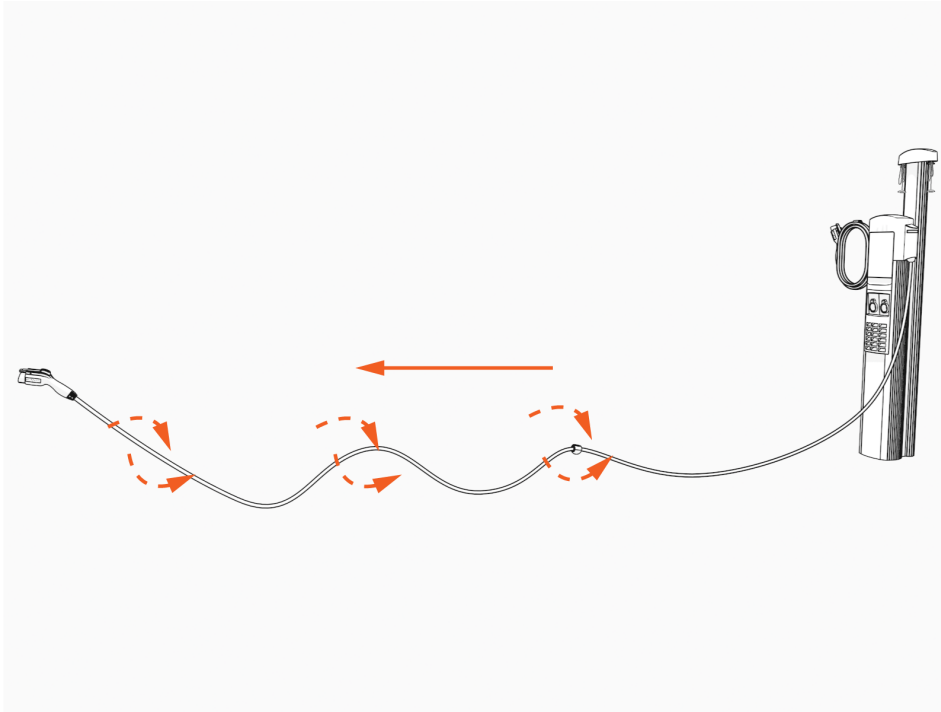


20. Torque two captive screws to 1.1 Nm (10 in-lb).

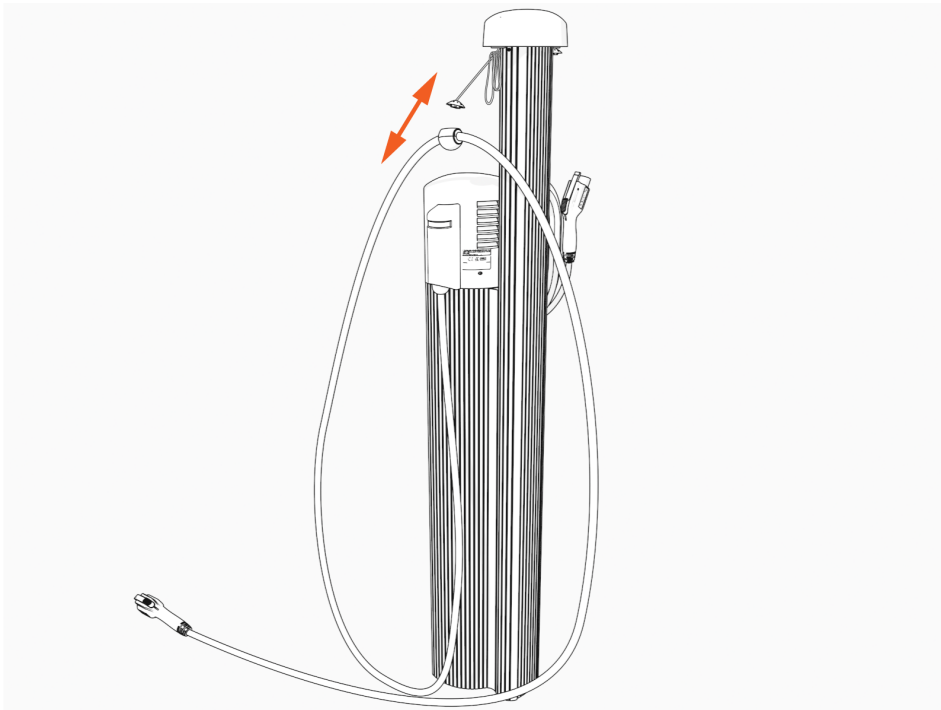


Install Cable Clamps

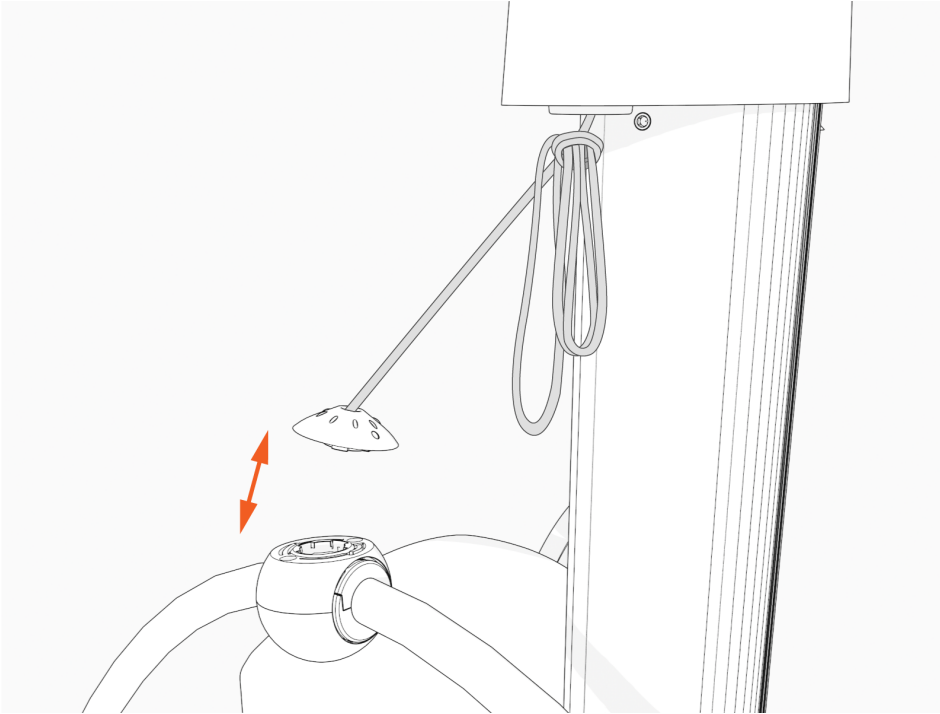
1. Uncoil the charging cable by gently extending it all the way out and away from the station. Rotate the plug as needed to remove any twist or kinks.



2. Position the charging cable near the base of the station.



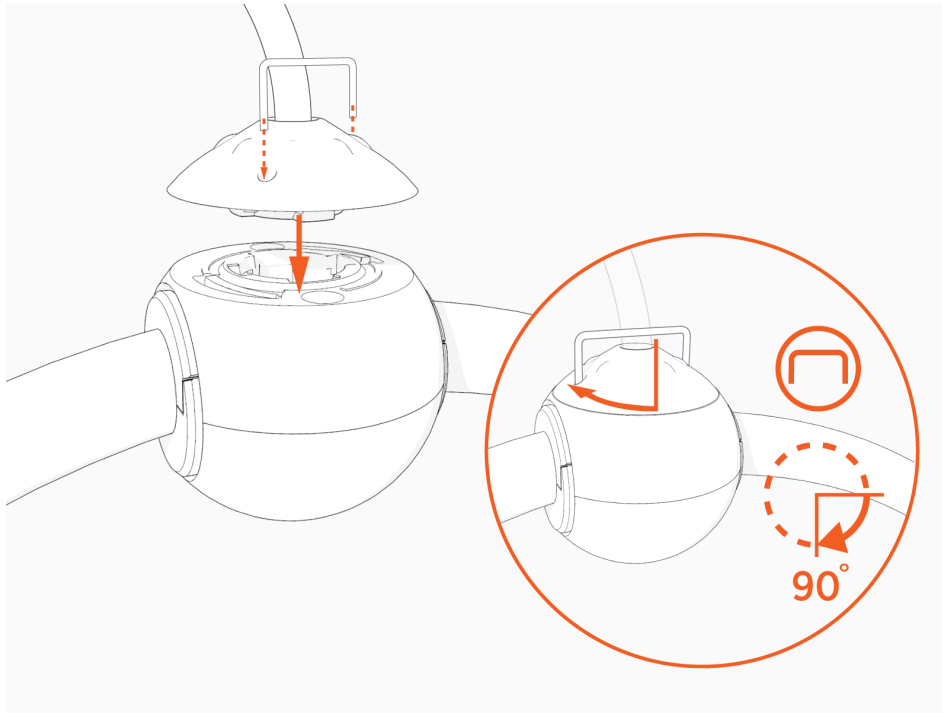
3. Align the knot bearing on each rope to its corresponding mating feature on the cable clamp.



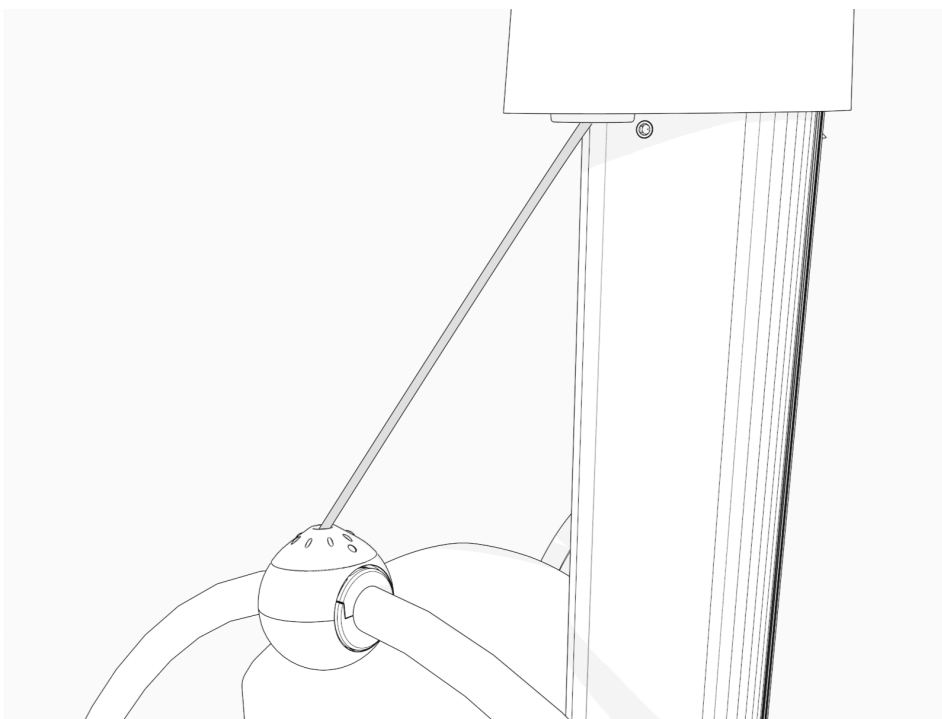
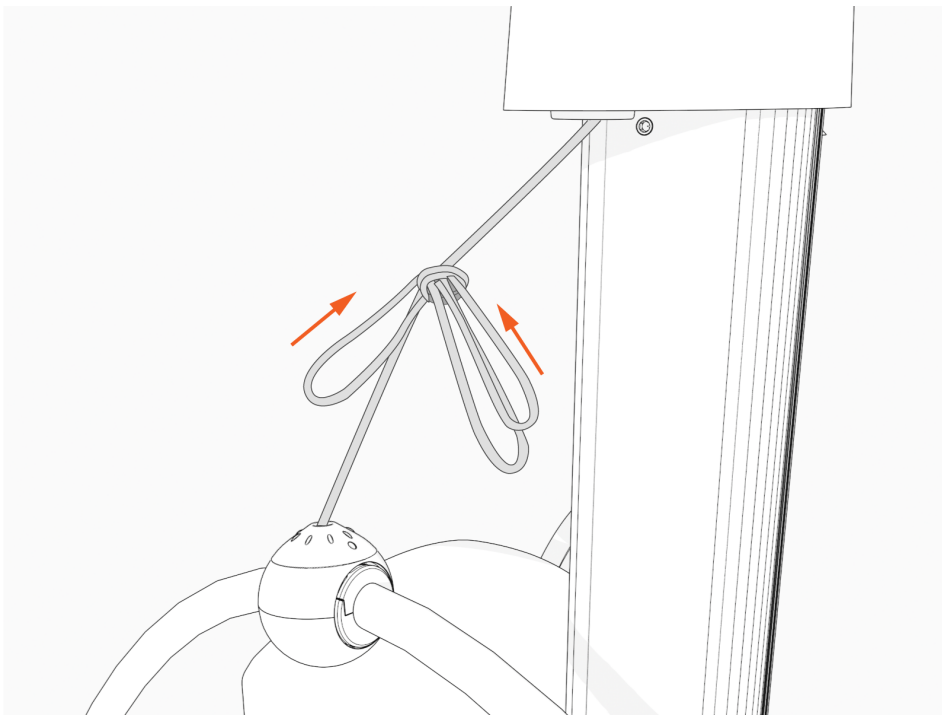
-
4. Using tool provided, turn the knot bearing clockwise approximately 1/4 turn. You may need to push down while turning the knot bearing.



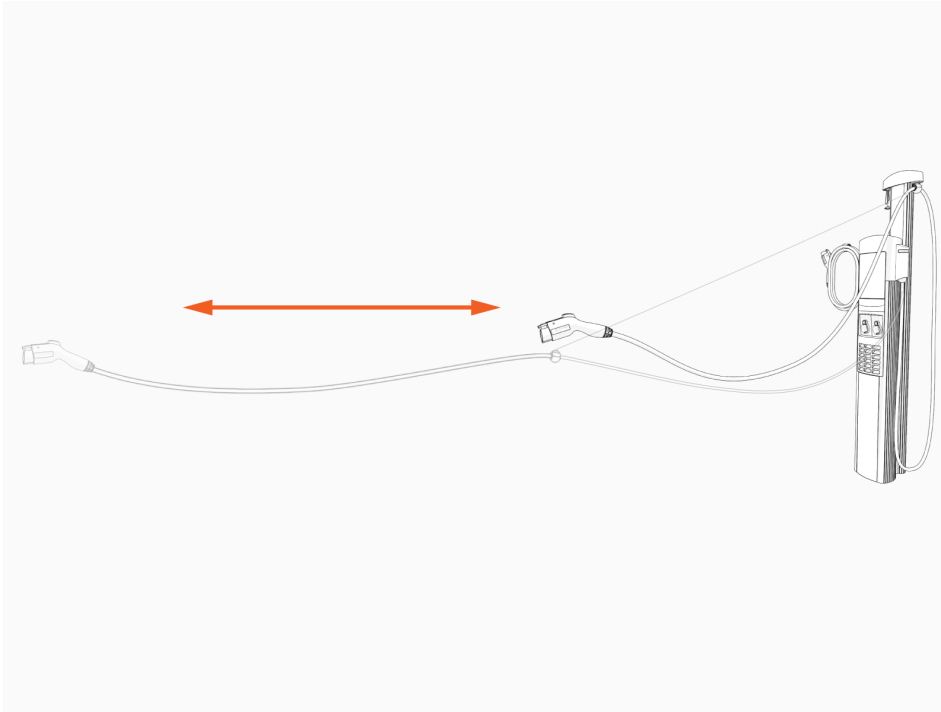
IMPORTANT: Ensure no gap exists between the top cap and the ball.



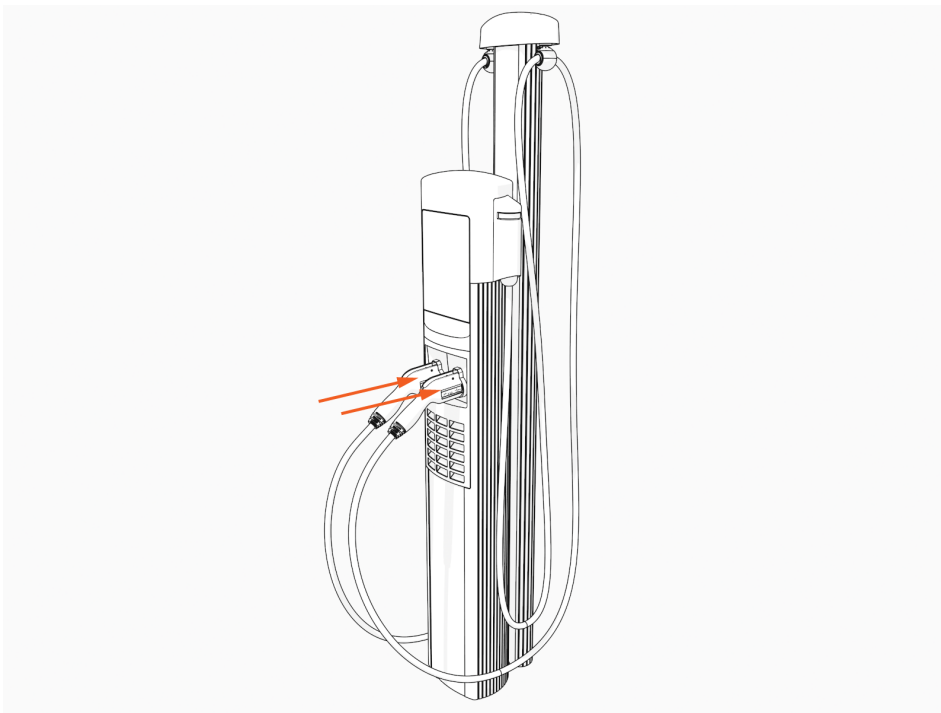
5. Untie the knot near the top of the CMK.



-
6. Check that the charging cable extends and retracts fully and smoothly.



7. Insert the charging cables into their corresponding holsters.



Complete Station Setup 6

To complete the setup, you must have completed the installer training and received your installer login. To complete the next steps, you need:

- Installer login
- Activation label (including the MAC address), if not already applied to top cap
- A smartphone with a camera, QR code scanning (usually built into the camera app), Internet connectivity, and the ChargePoint Installer App

Note: You can also use the Installation Wizard and the Pinpoint Portal (o.chargepoint.com).

- The exact location (to the parking space) where the CP6000 charging station is physically installed

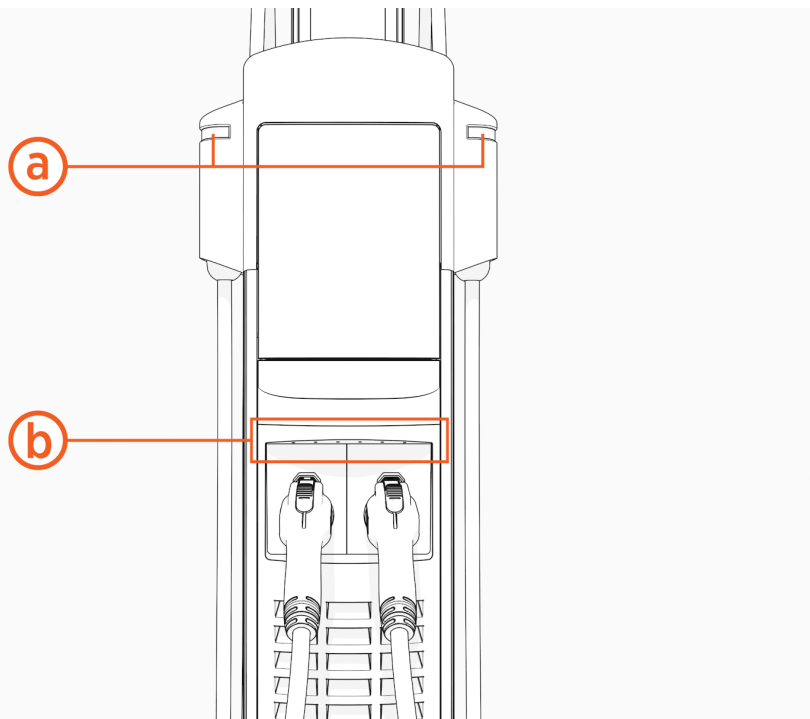
Power Up






1. Power up the station at the breaker panel.



If the station does not power up, turn power back off and check that the head assembly is fully seated into the housing.


2. Check the status lights (a) and the light bar (b). The status lights pulse yellow while the station is booting up.

If any lights are not functioning, or you find other issues, contact ChargePoint Support.



Status Light Color		Operating Definitions
	Light blue	Plugged in and waiting for capacity due to power management and scheduled charging
	Blue, pulsing	Charging a vehicle
	Blue, solid	Charging complete or preparing for vehicle communication after plugging a vehicle in
	Green	Available and ready to charge
	Orange, solid	Online, waiting for a wait-listed vehicle

Status Light Color		Fault Definitions
	Green	Connector fault, one cable fault on a two cable station
	Red	Out-of-service or disabled

Status Light Color		Fault Definitions
	Yellow, pulsing	Plugged in but not authorized, reported as blocked
	White	Offline

Configure and Pinpoint the Station

Use either one of the following two methods to configure and pinpoint the charging station:

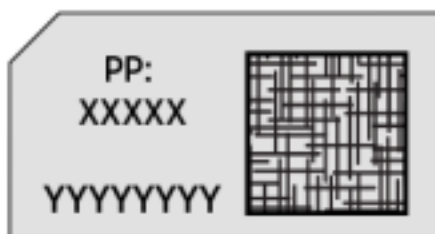
- ChargePoint Installation Wizard and Pinpoint Portal
- OR
- ChargePoint Installer App

Installation Wizard and the Pinpoint Portal

Enter the activation password printed on the activation label. (The activation label was on the plastic film on the front lens.)

If your smartphone has a scanning app:

1. Open a QR Code scanning app.
Point the camera at the QR code on the activation sticker.



Your device is automatically redirected to the installer pinpointing page. Confirm that the URL of the page is o.chargepoint.com.



2. Log into the installer site using your installer login. Tap **Log In**.

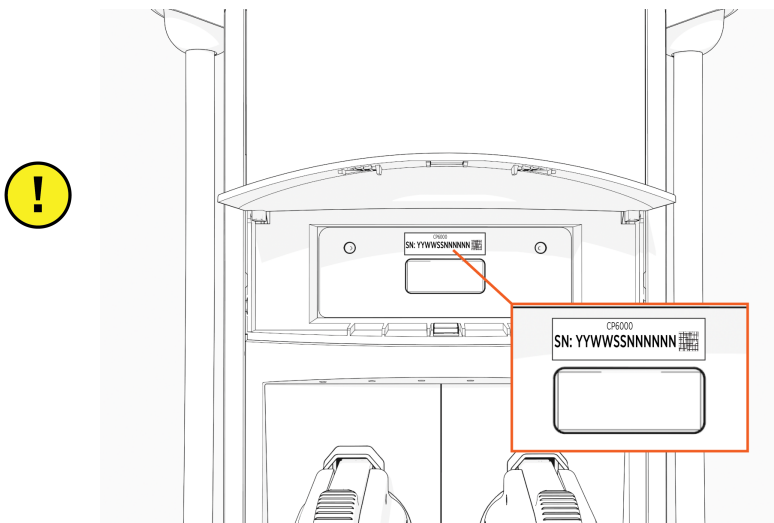
3. Confirm the MAC address and activation password are automatically entered and correct.
4. Tap **Next**.

If your smartphone does not have a scanning app:

1. Using your smartphone, navigate to o.chargepoint.com.
2. Enter the MAC address and activation password printed on the activation label and tap **Next**.

IMPORTANT: Verify the station serial number before proceeding. It cannot be changed after completing the configuration.

The CP6000 serial number is located behind the flip door on the station. Press along the top edge of the flip door while lifting the bottom edge to open the flip door.



3. Tap the Location Permission button. Your GPS coordinates are required to complete the pinpointing process.
4. Confirm that you are installing a new charging station and tap **Next**.
5. For Make, select the manufacturer.
6. For Model, choose the model shown on the manufacturer type plate. Ensure the image of the equipment shown on the app matches the station onsite.
7. For Station S/N, enter the serial number shown on the manufacturer type plate and tap **Next**.
8. Begin entering the address of the charging station. Select the address from the list of valid addresses and tap **Next**.
9. Drag the map to place the pin in the exact parking space for this charging station and tap **Next**.
10. Enter additional station location details such as Parking lot name, Building name, Floor label, and Parking restrictions, if applicable, then tap **Next**.
11. Add Helpful Information for Drivers, if applicable.
12. Tap **Take Photo** to take an image of the newly labeled charging station and the parking space. Follow onscreen guidance from your camera app to take and use a photo.
13. Touch **Next** to complete the process.

ChargePoint Installer App

Use the ChargePoint Installer App to complete the station setup procedure.

1. If you do not already have the Installer App, scan the QR code to download the app, and sign up.



2. Open the ChargePoint Installer App and log in.
3. Select **Configure**.
4. Confirm you have all required materials to continue activation, and select **Yes**.
5. Follow the prompts in the Installer App.

Start a Charging Session

Once the Installation Wizard is complete, use the app to start a test session. Verify that you can:

- Initiate a charging session
- Unlock the holster and pull out the charge handle
- Plug the handle into the emulator (if available)
- Holster the handle
- Verify that the handle is locked again

Questions?

Go to chargepoint.com/support and find your region's technical support number.

Limited Warranty Information and Disclaimer

The Limited Warranty you received with your charging station is subject to certain exceptions and exclusions. For example, your use of, installation of, or modification to, the ChargePoint® charging station in a manner in which the ChargePoint® charging station is not intended to be used or modified will void the limited warranty. You should review your limited warranty and become familiar with the terms thereof. Other than any such limited warranty, the ChargePoint products are provided "AS IS," and ChargePoint, Inc. and its distributors expressly disclaim all implied warranties, including any warranty of design, merchantability, fitness for a particular purposes and non-infringement, to the maximum extent permitted by law.

Limitation of Liability

CHARGEPOINT IS NOT LIABLE FOR ANY DIRECT, INDIRECT, INCIDENTAL, SPECIAL, PUNITIVE OR CONSEQUENTIAL DAMAGES, INCLUDING WITHOUT LIMITATION LOST PROFITS, LOST BUSINESS, LOST DATA, LOSS OF USE, OR COST OF COVER INCURRED BY YOU ARISING OUT OF OR RELATED TO YOUR PURCHASE OR USE OF, OR INABILITY TO USE, THE CHARGING STATION, UNDER ANY THEORY OF LIABILITY, WHETHER IN AN ACTION IN CONTRACT, STRICT LIABILITY, TORT (INCLUDING NEGLIGENCE) OR OTHER LEGAL OR EQUITABLE THEORY, EVEN IF CHARGEPOINT KNEW OR SHOULD HAVE KNOWN OF THE POSSIBILITY OF SUCH DAMAGES. IN ANY EVENT, THE CUMULATIVE LIABILITY OF CHARGEPOINT FOR ALL CLAIMS WHATSOEVER RELATED TO THE CHARGING STATION WILL NOT EXCEED THE PRICE YOU PAID FOR THE CHARGING STATION. THE LIMITATIONS SET FORTH HEREIN ARE INTENDED TO LIMIT THE LIABILITY OF CHARGEPOINT AND SHALL APPLY NOTWITHSTANDING ANY FAILURE OF ESSENTIAL PURPOSE OF ANY LIMITED REMEDY.

FCC Compliance Statement

This equipment has been tested and found to comply with the limits for a Class B digital device, pursuant to part 15 of the FCC Rules. These limits are designed to provide reasonable protection against harmful interference when the equipment is operated in a residential installation. This equipment generates, uses, and can radiate radio frequency energy and, if not installed and used in accordance with the instruction manual, may cause harmful interference to radio communications.

Important: Changes or modifications to this product not authorized by ChargePoint, inc., could affect the EMC compliance and revoke your authority to operate this product.

Exposure to Radio Frequency Energy: The radiated power output of the 802.11 b/g/n radio and cellular modem (optional) in this device is below the FCC radio frequency exposure limits for uncontrolled equipment. The antenna of this product, used under normal conditions, is at least 20 cm away from the body of the user. This device must not be co-located or operated with any other antenna or transmitter by the manufacturer, subject to the conditions of the FCC Grant.

ISED (formerly Industry Canada)

This device complies with the licence-exempt RSS standard(s) of Innovation, Science and Economic Development Canada (ISED). Operation is subject to the following two conditions: (1) this device may not cause interference, and (2) this device must accept any interference, including interference that may cause undesired operation of the device.

Cet appareil est conforme aux flux RSS exemptés de licence d'Innovation, Sciences et Développement économique Canada (ISDE). L'exploitation est autorisée aux deux conditions suivantes : (1) l'appareil ne doit pas produire de brouillage, et (2) l'utilisateur de l'appareil doit accepter.

Radiation Exposure Statement: This equipment complies with the IC RSS-102 radiation exposure limits set forth for an uncontrolled environment. This equipment should be installed and operated with a minimum distance of 20 cm between the radiator and your body.

Énoncé d'exposition aux rayonnements: Cet équipement est conforme aux limites d'exposition aux rayonnements ioniques RSS-102 Pour un environnement incontrôlé. Cet équipement doit être installé et utilisé avec un Distance minimale de 20 cm entre le radiateur et votre corps.

FCC/IC Compliance Labels

Visit chargepoint.com/labels.

